



www.diginet.net.au

LEDsmart⁺™ Push Button Hour Timer

Programmable between ¼ hour and 7 ½ hours with built in multi-way control



Wall plate
not included

Range

MMTH / PB



Overview

Designed in Australia, this electronic timer will automatically switch lighting off after the timeout period programmed by the installer.

This high quality, two-wire timer can be connected in parallel to other LEDsmart+ devices to provide a simple solution to multi-way control.

Features

Programmable between ¼ hour and 7½ hours, in ¼ hour steps

Suitable for one-way, two-way, three-way and multi-way control

MultiMate™ technology allows multi-way control with no extra wires

Suitable for both retrofit and new installations

Active only 'two wire' connection - no neutral required

Override feature to stop the lights turning off automatically

Advanced warning feature to dim lighting to 50% level for 5 minutes after time out

Mode to convert from an hour timer to a minute timer

Programmable maximum level and off state indicator

Simple 3-step timer interval setting







Flush and rocker style button options

Quiet, soft press button - no harsh click

1W minimum load



Specifications

Compatible Load Types			
Load Symbol	Load Type	Maximum Load	Notes
	LED Lamps	400W	The LED driver must be dimmable. Maximum permitted number of drivers is 400W divided by driver nameplate power rating. Due to variety of LED lamp designs, maximum number of LED lamps is further dependent on power-factor result when connected to timer.
	Electronic Transformers	400W	
	Standard Iron-Core Transformers	250W	Due to variety of transformer designs, maximum LV lighting load is also dependent on transformer efficiency.
	Toroidal Iron-Core Transformers	300W	
	Incandescent	350W	
	CFLs	400W	Due to variety of CFL designs, maximum number is make/model dependant.

Multi-gang de-rating

In applications where multiple devices are installed in a multi-gang plate, a de-rating factor is applied to the maximum load as follows

Number of devices per plate	De-rating factor
1	No de-rating
2	0.85
3	0.70
4	0.55
5	0.40
6	0.25

De-rating example

Two timers installed in a wall plate. The maximum LED load which can be connected to each timer = 400W x 0.85 = 340W per timer

Incompatible Load types

Ceiling Sweep Fans and Exhaust fans

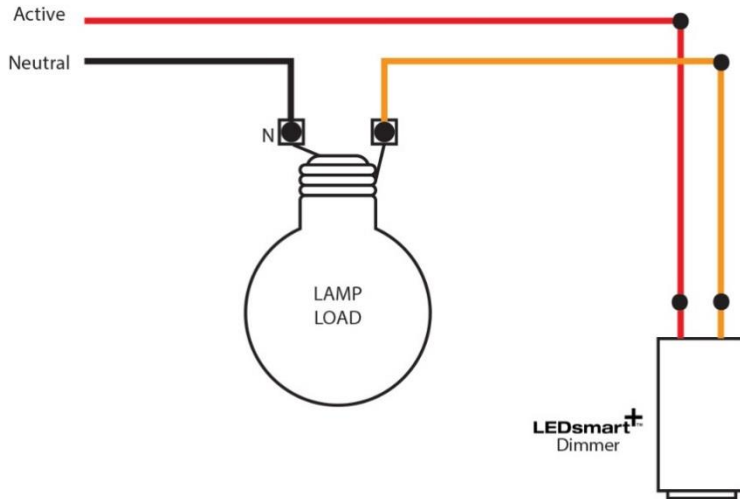
Nominal Line Voltage Amplitude Range	
Nominal Line Voltage Amplitude Range	220-240Vac
Line Voltage Frequency	50Hz Nominal (47-53Hz)
Default time out	½ hour
Rated Load	Refer Compatible Loads
Minimum Load	1W
Maximum cable distance from any LEDsmart+ device to the parallel junction point	50m (for example, two dimmers could be separated by up to 100m provided that the maximum distance from the furthest dimmer to the parallel junction point is no more than 50m)



Wiring for one-way dimming and switching

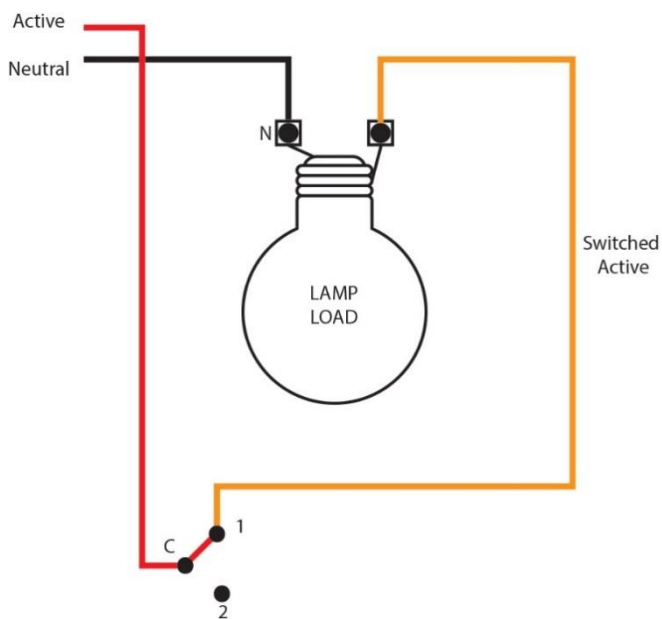
The dimmer has a built in tap on / tap off switch. Therefore, to provide both dimming and on/off control, no separate switch is required.

New Installation – one-way dimming and switching

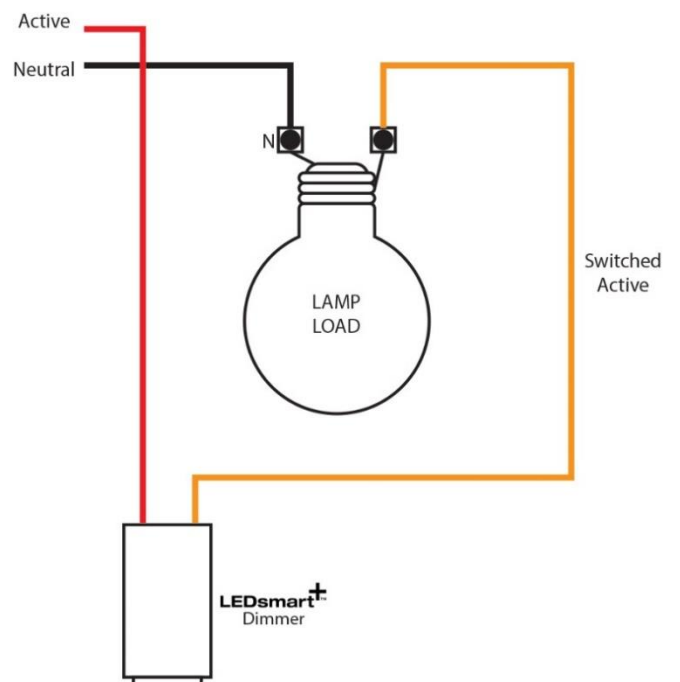


Replacing existing one-way switch with one-way switching/dimming

Existing one-way switching



Replacement one way dimming/switching

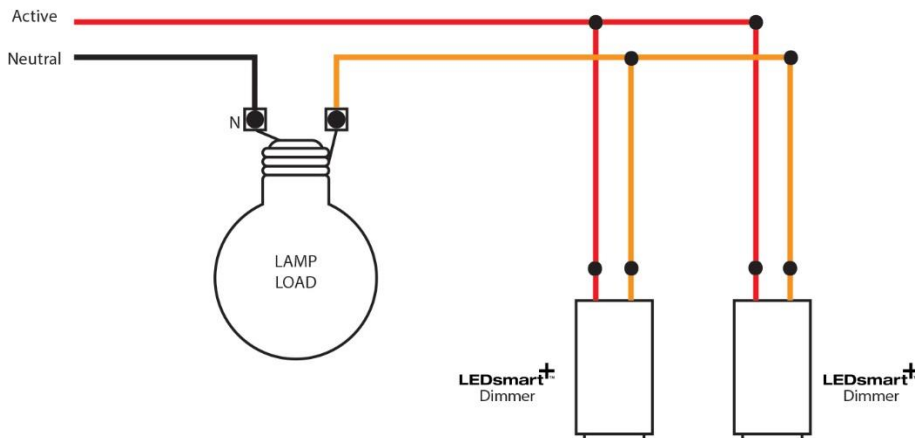




Wiring for two-way dimming and switching

To achieve two-way dimming and switching using LEDsmart⁺ dimmers, the two dimmers are connected in parallel. Note that the dimmers have an integrated switch, therefore no separate switches or additional strappers are required for two-way on/off control.

New Installation – two-way dimming and switching

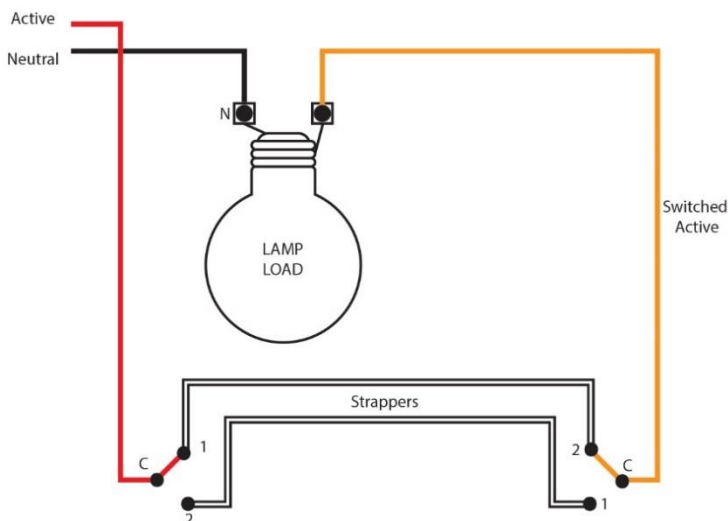


Two-way dimming and switching using LEDsmart⁺ dimmers. Note the two-wire dimmers are simply wired in parallel.

Replacing existing two-way switching with two-way dimming/switching

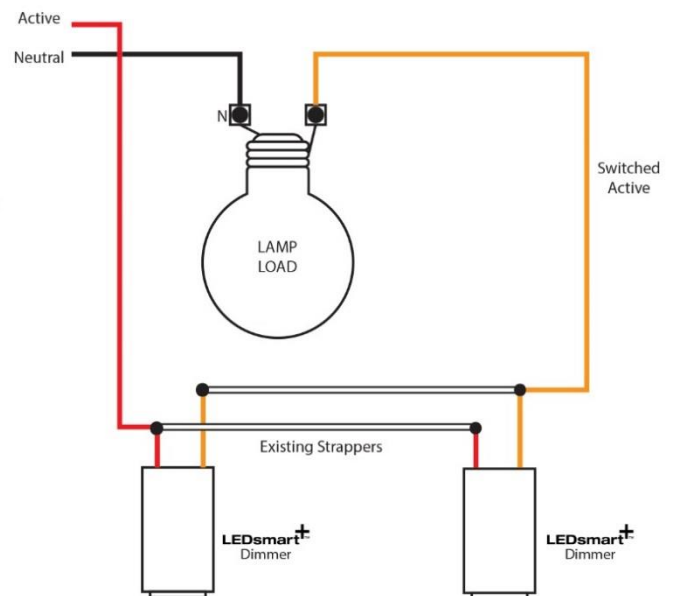
When replacing existing two-way switching with two-way dimming/switching using LEDsmart⁺, the existing two-way 'strapper' wires can be re-used. No new wiring is required. See the wiring diagrams below.

Existing two-way switching



Traditional two-way switching using standard rocker switch mechanisms and strappers between the switches.

Replacement two-way dimming/switching



Rocker switches replaced with LEDsmart⁺ dimmers using the existing strapper wires. No new wiring required.

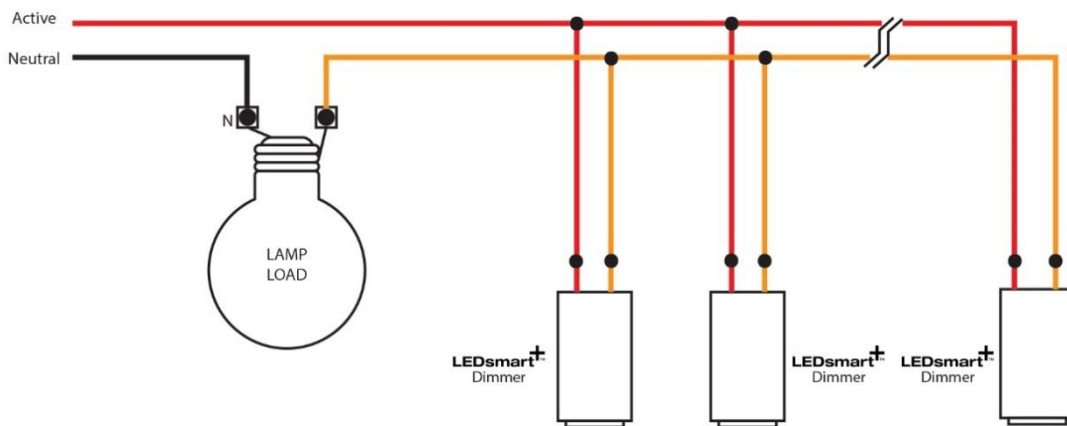


Wiring for multi-way (three-way or more) dimming and switching

To achieve multi-way dimming and switching using LEDsmart+ dimmers, the required number of dimmers can be connected in parallel. Note that each LEDsmart+ dimmer has an integrated switch, therefore no separate switches or additional strappers are required to provide multi-way dimming and on/off control.

The diagram below shows the required wiring for three-way dimming and switching using LEDsmart+ dimmers. If more than three-way control is required, further LEDsmart+ devices are simply wired in parallel.

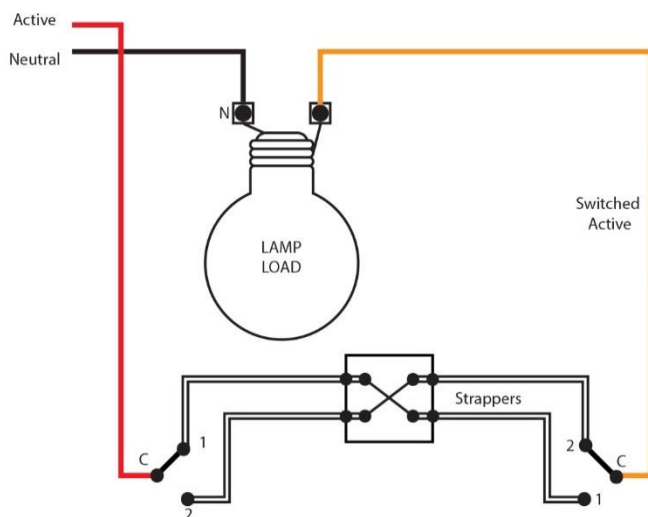
New Installation – multi-way (three-way or more) dimming/switching



Three-way dimming and switching using LEDsmart+ dimmers. Note that each two-wire LEDsmart+ dimmer is simply wired in parallel.

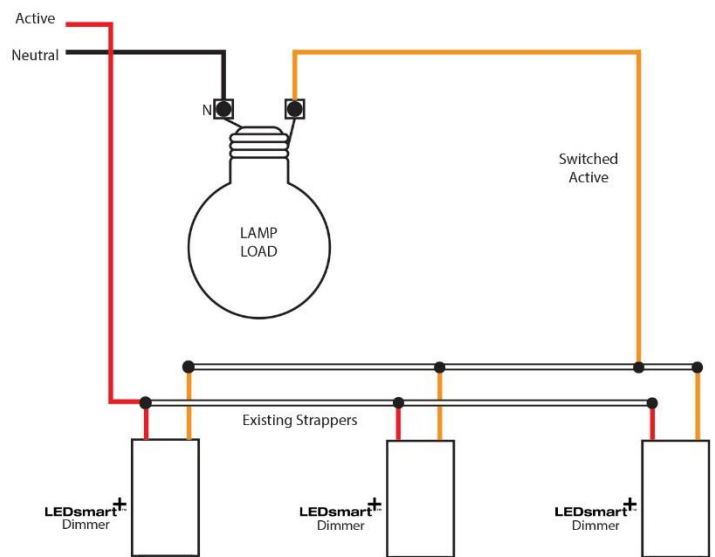
Replacing existing multi-way switching with multi-way dimming and switching

Existing three-way switching



Traditional three-way switching using two rocker switches and one intermediate switch, with strappers between the switches.

Replacement three-way dimming/switching



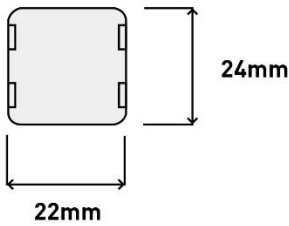
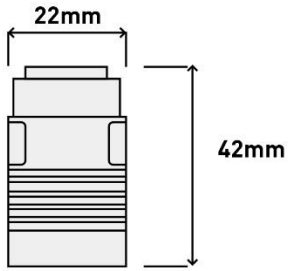
Rocker switches and intermediate switch replaced with LEDsmart+ dimmers. The existing strappers are used to connect the dimmers in parallel. No new wiring is required.



LEDsmart⁺™ Push Button Hour Timer

Programmable between ¼ hour and 7 ½ hour with built in multi-way control

Dimensions



Approvals & Compliance

IP20  

CONTACT INFORMATION

Web	www.diginet.net.au	
General Enquiries:	1300 95 DALI (3254)	sales@diginet.net.au
Technical Services:	1300 95 3244	support@diginet.net.au
Fax:	1300 95 3257	

PRODUCT OF GERARD LIGHTING PTY LTD

ABN – 94 122 520 307
 96-112 Gow Street
 Padstow NSW 2211

DIGINET IS A BRAND OF GERARD LIGHTING GROUP

The product includes a **TWO-YEAR WARRANTY** against manufacturing defects. Fully warranty terms can be found here www.diginet.net.au

COPYRIGHT. ©This document is copyright to Gerard Lighting Pty Ltd. Except as permitted under relevant law, no part of this user and installation guide may be reproduced by any process without written permission of and acknowledgement to Gerard Lighting. **DISCLAIMER.** Gerard Lighting Pty Ltd reserves the right to alter the specifications, designs or other features of any items and to discontinue any items at any time without notice and without liability. While every effort is made to ensure that all information in this user and installation guide is correct, no warranty of accuracy is given and Gerard Lighting shall not be liable for any error. **TRADEMARKS.** The identified trademarks and copyrights are the property of Gerard Lighting Pty Ltd unless otherwise noted.