

FAST MOVERS

LIGHTING FOR THE TRADE

FY23-24
EDITION 4



CONTENTS

Downlights



4
STARBURST CRYSTAL
ECO LED GEN 2



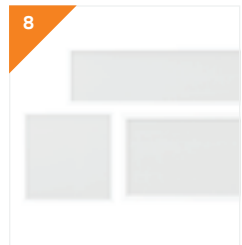
5
LITELUX COLOUR SELECT
LED DOWNLIGHT GEN 3



6
CONIX DOWNLIGHT

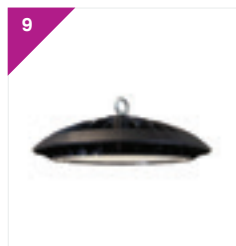


7
PIERLUX PLUS COLOUR
SELECT LED DOWNLIGHT



8
ECO LED PANEL GEN 2

Highbays



9
PIERLUX ECO LED
HIGHBAY GEN 6



10
PIERLUX MOTION SENSOR



11
ORION OYSTER GEN 3



12
SLIMLINE COLOUR SELECT
LED OYSTER



13
OBL MINI LED BATTEN

Oysters

Battens



14
ECO LED BATTEN GEN 3



15
ECO LED COLOUR SELECT
BATTEN WITH SENSOR



16
NIPPER LED
BATTEN



17
BWP ECO LED
WEATHERPROOF BATTEN
GEN 2



18
VANDALED CS

Bunkers & Bulkheads

Floodlights



19
CARLTON COLOUR
SELECT LED BUNKER



20
SIRROCO II LED BULKHEAD



21
JULUX LED 2 BULKHEAD



22
MAXI MASTER GEN II LED
FLOODLIGHT



23
HORNET LED FLOODLIGHT

Emergency & Exit Lights



24
SHADOWECO LED FLOODLIGHT



25
ECO LED EMERGENCY BATTEN GEN 4



26
NIPPER LED EMERGENCY BATTEN



27
BWP ECO COLOUR SELECT LED EMERGENCY WEATHERPROOF BATTEN



28
DIRECTOR 2 LED EXIT LIGHT



29
STINGRAY 2 LED EXIT LIGHT



30
FIREFLY2 LED EMERGENCY LIGHT



31
PATHFINDER ECO LED EMERGENCY



32
GUARDIAN 2 LED EMERGENCY FLOODLIGHT

Dimmers & Sensors



33
LEDSMART™ ADAPTIVE PHASE DIMMER



34
LEDSMART+™ DIMMERS, SWITCHES AND TIMERS



35
LEDSMART+™ OCCUPANCY SENSOR



36
LEDSMART+™ DIGITAL LEVEL DISPLAY



37
SMART SCAN TWO CHANNEL SENSOR



38
SMART SCAN SENSOR MKII - CEILING MOUNTED MOTION SENSOR

Starburst Crystal Eco LED Gen 2

Pierlite multi-function fixed or gimble downlight, a low maintenance solution for general accent lighting.

- One box solution with 2-in-1-cut-out sizes and fixed or gimble formats
- Cut-out 90mm, adjustable to 70mm by removing posts on trim
- Easy to install with flexible clips and pre-wired with 1.2m flex and plug



Applications

Commercial, residential, hospitality



IP20
Ingress Protection Rating



3 Year
Warranty



30,000hr
Lifetime (L70B50)



Ta40
Operational Temperature Rating



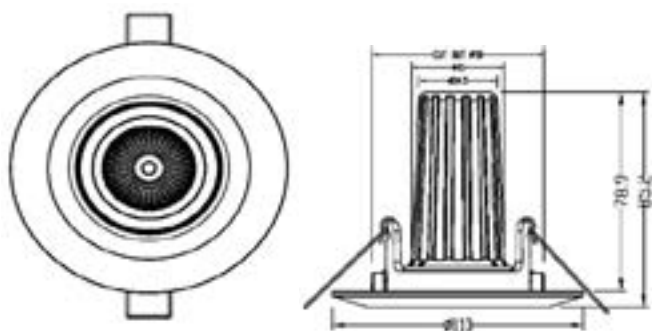
Phase
Dimmable



90mm
Cut-Out



| CODE | SYSTEM WATTAGE | EXIT LUMEN | LUMEN/WATT | CCT | CRI | DIMMING |
|------------|----------------|------------|------------|-------|-----|---------|
| CRYSECO1G2 | 11.5W | 780 | 70lm/W | 3000K | >80 | Phase |
| CRYSECO5G2 | 11.5W | 880 | 80lm/W | 4000K | >80 | Phase |



CRYSECO1G2
CRYSECO5G2

Litelux Colour Select LED Downlight Gen 3

COLOUR SELECT

The new generation Pierlite Litelux Colour Select LED Downlight Gen3, bringing freedom of choice to the installer to select required colour temperature for different areas, all from the same luminaire..

- One-box solution with 3-in-1 colour temperature
- Flexibility to choose driver - Remote driver option suitable for low ceilings or in-built driver for an easy and quick installation
- IC-4 compliant making it safe against building thermal materials and insulation



Applications

Commercial, residential, hospitality



IP44
Ingress Protection Rating



3 Year
Warranty



30,000hr
Lifetime (L70)
(In-built driver)



36,000hr
Lifetime (L70)
(Remote driver)



Ta40
Operational Temperature Rating



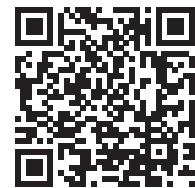
Phase
Dimmable



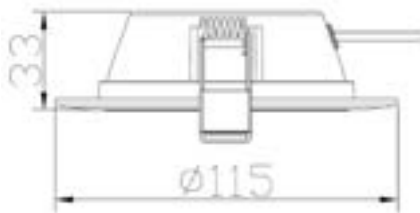
IC-4
Rating



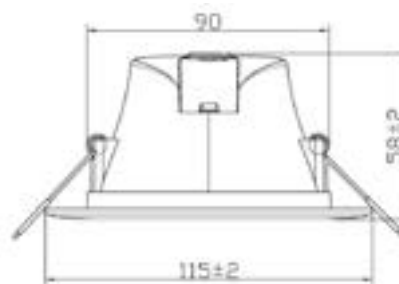
90mm
Cut-Out



| CODE | SYSTEM WATTAGE | EXIT LUMEN | LUMEN/WATT | CCT | CRI | DIMMING | ENERGY SCHEME |
|----------------|----------------|------------|------------|---------------------|-----|---------|---|
| DLP53/4/65FWG3 | 7.8W | 800 | 103lm/W | 3000K, 4000K, 6500K | >80 | Phase | <ul style="list-style-type: none"> ● IPART ● VEU ● REES |
| DLP63/4/65FWG3 | 7W | 750 | 107lm/W | 3000K, 4000K, 6500K | >80 | Phase | <ul style="list-style-type: none"> ● IPART ● VEU ● REES |



DLP53/4/65FWG3
(remote driver)



DLP63/4/65FWG3
(in-built driver)

Conix Downlight

Featuring a low glare design for visual comfort, as well as a simple and stylish form. The Colour Select option provides flexibility to create the right ambience for any environment.

- Low glare recessed diffused 60 degree lens
- IP44 ingress protection (front only)
- Colour Select - 3000K, 4000K and 6500K



Applications

Residential, commercial



IP44
Ingress Protection Rating



3 Year
Warranty



50,000hr
Lifetime (L70B50)



Ta0-40
Operational Temperature Rating



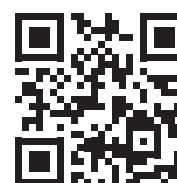
Phase
Dimmable



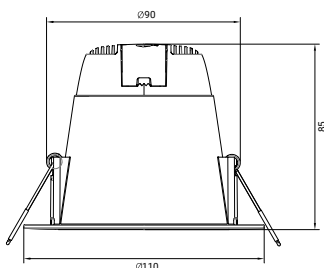
IC-4
Rating



90mm
Cut-Out



| CODE | SYSTEM WATTAGE | EXIT LUMEN | LUMEN/WATT | CCT | CRI | DIMMING |
|-------------|----------------|------------|------------|---------------------------|-----|---------|
| CNX63/4/65B | 6.5W | 650 | 100lm/W | 3000K/ 4000K/ 6500K | 80 | Phase |
| CNX63/4/65W | 6.5W | 770 | 115lm/W | 3000K/ 4000K/ 6500K | 80 | Phase |



CNX63/4/65B
CNX63/4/65W

Pierlux Plus Colour Select LED Downlight

COLOUR SELECT

Pierlux Plus Colour Select LED is a high performance, stylish, simple and efficient downlight. Providing more flexibility and suits most applications.

- One-box solution with 3-in-1 colour temperature
- Recessed diffused front lens
- Easy to install with wide blade solid springs and 1.2m flex and plug

Applications

Commercial, residential, retail



IP44
Ingress Protection Rating



3 Year
Warranty



54,000hr
Lifetime (L80B50)



Ta40
Operational Temperature Rating



Phase
Dimmable



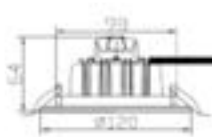
100mm Cut-Out
PLUX43/4/6K

150mm Cut-Out
PLUX63/4/6KP

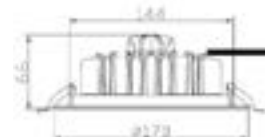
200mm Cut-Out
PLUX83/4/6K



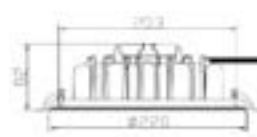
| CODE | SYSTEM WATTAGE | EXIT LUMEN | LUMEN/WATT | CCT | CRI | DIMMING | ENERGY SCHEME |
|--------------|----------------|------------|------------|---------------------------|-----|---------|--|
| PLUX43/4/6K | 14W | 1,200 | 86lm/W | 3000K/ 4000K/ 6500K | >80 | Phase | ● IPART ● VEU ● REES |
| PLUX63/4/6KP | 25W | 2,600 | 104lm/W | 3000K/ 4000K/ 6500K | >80 | Phase | ● IPART ● VEU ● REES |
| PLUX83/4/6K | 35W | 3,700 | 106lm/W | 3000K/ 4000K/ 6500K | >80 | Phase | ● IPART ● VEU ● REES |



PLUX43/4/6K



PLUX63/4/6KP



PLUX83/4/6K

Eco LED Panel Gen 2

COLOUR SELECT

Pierlite Eco Colour Select LED Panel Gen 2 is a low profile luminaire solution, designed as an ideal replacement for traditional fluorescent recessed troffers.

- One-box solution with 3-in-1 colour temperature*
- Office compliant option available in UGR19
- Easy to install with remote constant driver and 1.2m flex and plug



*For selected products only

Applications

Commercial, general lighting



IP40
Ingress Protection Rating



3 Year
Warranty



50,000hr
Lifetime (L70B50)



Ta40
Operational Temperature Rating



Non-Dimmable



IK07
Impact Rating



| CODE | SYSTEM WATTAGE | EXIT LUMEN | LUMEN/WATT | CCT | CRI | DIMENSIONS (H X W X L) |
|---------------|----------------|------------|------------|---------------------|-----|------------------------|
| ECOPL063CSEG2 | 14W | 1,400 | 107lm/W | 4000K/ 5000K/ 6500K | >80 | 30mm x 295mm x 595mm |
| ECOPL066CSEG2 | 27W | 2,800 | 107lm/W | 4000K/ 5000K/ 6500K | >80 | 30mm x 595mm x 595mm |
| ECOPL123CSEG2 | 27W | 2,800 | 107lm/W | 4000K/ 5000K/ 6500K | >80 | 30mm x 295mm x 1195mm |
| ECOPL126CSEG2 | 50W | 4,800 | 96lm/W | 4000K/ 5000K/ 6500K | >80 | 30mm x 595mm x 1195mm |
| ECOPL1234UG19 | 34W | 3,200 | 94lm/W | 4000K | >80 | 30mm x 295mm x 1195mm |
| ECOPL1234EG2 | 27W | 2,900 | 107lm/W | 4000K | >80 | 30mm x 295mm x 1195mm |

| ACCESSORY CODE | DESCRIPTION |
|----------------|---|
| UDFRM/6-3 | Universal deep frame 295 x 595 |
| UDFRM/6-6 | Universal deep frame 595 x 595 |
| UDFRM/12-3 | Universal deep frame 295 X 1195 |
| UDFRM/12-6 | Universal deep frame 595 x 1195 |
| FRM/PM18W | Plaster master frame 295 x 595 |
| FRM/PM18WIDE | Plaster master frame 595 x 595 |
| FRM/PM36W | Plaster master frame 295 x 1195 |
| FRM/PM36WIDE | Plaster master frame 595 x 1195 |
| ECOPLWIREKITG2 | Suspension kit Y-shape, 1M and 2 brackets |
| EMKIT-5W-MT | Emergency kit |



Pierlux Eco LED Highbay Gen 6

LUMEN SELECT™

The new generation Pierlux Eco LED Highbay Gen 6 120W, with 1-10V dimming and 200W lumen select variants are the ideal light fixture for industrial and commercial applications. With an improved efficacy of up to 180lm/W and 4 wattages/ lumen option for the 200W Lumen Select highbay, this fixture is the ultimate energy efficient replacement for traditional HID and older LED highbays.



Highbay

- One box solution with Lumen Select (200W) and 1-10v dimming (120W)
- Superior housing made with LM6 grade die cast aluminium
- Complete with 1.7m flex & plug with safety lanyard for quick and secure installation

Applications

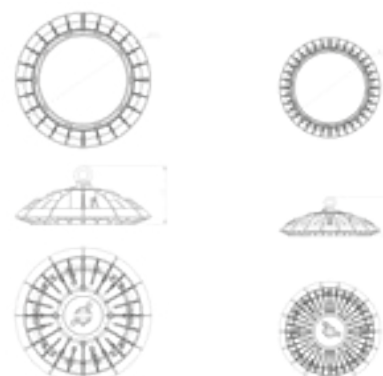
Industrial

| | | | | | |
|--|---------------------------|---------------------------------------|---|--------------------------|------------------------------|
| | | | | | |
| IP65 Ingress Protection Rating | 5 Year Warranty | 54,000hr Lifetime (L70/B50) | Ta50 Operational Temperature Rating | 1-10V Dimmable | IK08 Impact Rating |



| CODE | SYSTEM WATTAGE | EXIT LUMEN | LUMEN/WATT | CCT | CRI | DIMMING | ENERGY SCHEME |
|-----------------|------------------------------|--------------------------------------|--|--------|-----|---------|---|
| ECOHB120W850G6 | 120W | 19,200 | 160lm/W | 5,000K | >80 | 1-10V | <ul style="list-style-type: none"> ● IPART ● VEU ● REES |
| ECOHB200W85LSG2 | 100W 150W 170W 200W | 17,894 26,017 29,196 33,746 | 180lm/W 174lm/W 170lm/W 166lm/W | 5,000K | >80 | - | <ul style="list-style-type: none"> ● IPART ● VEU ● REES |

| ACCESSORY CODE | DESCRIPTION |
|-----------------|---|
| ECOHB5FHF | Motion Sensor |
| ECOHB120BRKT | G5 120W Surface mounting bracket kit |
| ECOHB170200BRKT | G5 170W 200W Highbay surface mounting bracket kit |
| ECOHBG5ALREF | G5 ANNODIZED Aluminium reflector |
| ECOHBG5LRCOV | G5 ANNODIZED Aluminium dust cover 170 200W |
| ECOHBG5PCREF | G5 Transparent polycarbonate refractor |
| ECOHBG5SMCOV | G5 Annodised aluminium dust cover 120W |



ECOHB120W850G6

ECOHB200W85LSG2

Pierlux Motion Sensor

Motion sensitive on/off switch, which turns on the light upon detection of motion, and turns off after a pre-selected hold-time when there is no movement.

- 'Plug and go' for fast installation, no additional terminations required
- Simple commissioning via rotary switch or an optional remote control
- Intelligent Photocell with daylight detection prior to motion detection



Applications

Industrial, floodlighting, installation up to 12m height

IP65
Ingress Protection Rating

5 Year
Warranty

Non-Dimmable

Detection Zone
(ø1.0m x H 12m)

Max Load
800W



| CODE | DESCRIPTION | COLOUR |
|----------|---|--------|
| ECOHSFHF | Motion sensor and light level sensor providing on/off control | Black |
| PRCII | Remote control for sensor | - |

| ROTARY SWITCH POSITION | DETECTION RANGE | HOLD TIME | DAYLIGHT SENSOR |
|------------------------|-----------------|-----------|-----------------|
| 0 | 100% | 5sec | Disabled |
| 1 | 100% | 1min | 2 lux |
| 2 | 100% | 5min | 10 lux |
| 3 | 100% | 5min | 30 lux |
| 4 | 100% | 5min | 10 lux |
| 5 | 100% | 5min | 30 lux |
| 6 | 100% | 5min | Disabled |
| 7 | 100% | 10min | 2 lux |
| 8 | 100% | 10min | 10 lux |
| 9 | 100% | 10min | 30 lux |
| A | 100% | 10min | Disabled |
| B | 75% | 10min | 30 lux |
| C | 50% | 10min | 10 lux |
| D | 100% | 30min | 50 lux |
| E | 100% | 30min | Disabled |
| F | 100% | 5sec | 2 lux |

ECOHSFHF

Dimensions: 120mm (height), 50mm (width), 24mm (depth)

The target lux level can be set as 2lux / 10lux / 50Lux / 100Lux / 300Lux / 500Lux / Disable via remote. Without remote, lux level settings cannot be set above 50lx.

Orion Oyster Gen3

COLOUR SELECT

LUMEN SELECT™

Orion Oyster Gen 3 is an energy efficient circular LED with a frosted diffuser that produces a clean white light.

- Flexibility through Colour Select (3000K/4000K/6000K) and Lumen Select (350mm only)
- Removeable trim for a different look
- Available in a motion and daylight sensor option



Without Trim

Applications

Commercial, residential, hospitality



IP54
Ingress Protection Rating



3 Year
Warranty



54,000hr
Lifetime (L70B50)



Ta40
Operational Temperature Rating



Phase
Dimmable



| CODE | SYSTEM WATTAGE | EXIT LUMEN | LUMEN/WATT | CCT | CRI | DIMMING |
|--------------------------|----------------|------------------|------------|---------------------|-----|---------|
| ORN16W3/4/6KDG3 | 16W | 1300/ 1400/ 1400 | 95lm/W | 4000K/ 5000K/ 6000K | 80 | Phase |
| ORN23W3/4/6KDG3 | 16W | 1300/ 1400/ 1400 | 95lm/W | 4000K/ 5000K/ 6000K | 80 | Phase |
| | 23W | 1800/ 2000/ 1900 | 95lm/W | 4000K/ 5000K/ 6000K | 80 | Phase |
| ORN23W3/4/6KSG3 (Sensor) | 16W | 1300/ 1400/ 1400 | 95lm/W | 4000K/ 5000K/ 6000K | 80 | - |
| | 23W | 1800/ 1900/ 1900 | 95lm/W | 4000K/ 5000K/ 6000K | 80 | - |



ORN16W3/4/6KDG3



ORN23W3/4/6KDG3
ORN23W3/4/6KSG3

Slimline Colour Select LED Oyster

COLOUR SELECT

This low profile LED Oyster comes with quick fit mounting bracket and integral control gear.

- One-box solution with 3-in-1 colour temperature
- Aesthetically pleasing with a sleek and slimline form factor
- Easy to install with a large terminal block



Applications

Commercial, residential, hospitality



IP54
Ingress Protection Rating



3 Year
Warranty



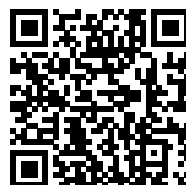
54,000hr
Lifetime (L70B50)



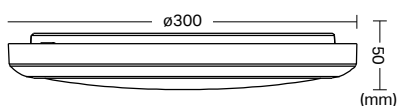
Ta40
Operational Temperature Rating



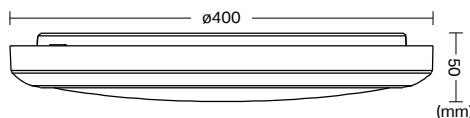
Phase
Dimmable



| CODE | SYSTEM WATTAGE | EXIT LUMEN | LUMEN/WATT | CCT | CRI | DIMMING |
|----------------|----------------|------------------|------------|---------------------|-----|---------|
| SLMOYS183/4/6K | 18W | 1500/ 1550/ 1600 | 90lm/W | 3000K/ 4000K/ 6500K | >80 | Phase |
| SLMOYS273/4/6K | 27W | 2300/ 2400/ 2400 | 90lm/W | 3000K/ 4000K/ 6500K | >80 | Phase |



SLMOYS183/4/6K



SLMOYS273/4/6K

OBL Mini LED Batten

COLOUR SELECT

LUMEN SELECT™

The OBL600 is a mini surface mount LED batten with frosted diffuser that produce a white clean light. It has a 3-way switch to adjust the light levels, ideal for above bed, beside mirrors, inside wardrobes or for any small area lighting.



- Frosted opal diffuser for a comfortable and clean ambient light
- Built in 3-way switch for quick and easy adjustment of light levels (OFF, DIM (10W) and Bright (15W))
- Using DPDT switch to isolate both live and neutral - suitable for caravans and mobile homes

Applications

Commercial, residential, hospitality



IP44
Ingress Protection Rating



3 Year
Warranty



54,000hr
Lifetime (L70B50)



Ta45
Operational Temperature Rating

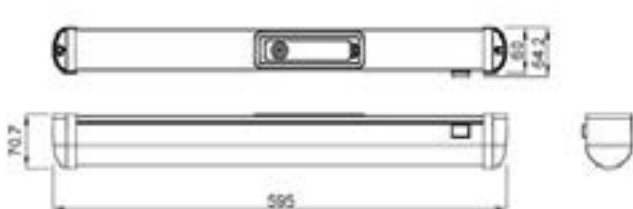


Non-Dimmable

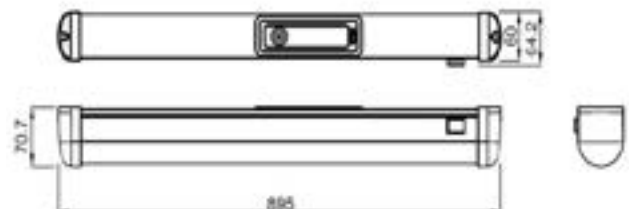


| CODE | SYSTEM WATTAGE | EXIT LUMEN* | LUMEN/WATT* | CCT | CRI |
|--------|----------------|-------------|-------------|-------------|-----|
| OBL600 | 10W | 1000lm | > 100lm/W | 3000K/4000K | >80 |
| | 15W | 1680lm | > 100lm/W | 3000K/4000K | >80 |
| OBL900 | 15W | 1700lm | > 113lm/W | 3000K/4000K | >80 |
| | 20W | 2100lm | > 105lm/W | 3000K/4000K | >80 |

*Based on 4000K



OBL600



OBL900

Eco LED Batten Gen 3

COLOUR SELECT

LUMEN SELECT™

The ECO LED Batten Gen 3 is a one box solution with Colour and Lumen Select across the range.

- Increased visual comfort with less than 1% flicker
- Easy to install with larger 4mm terminal block and rear cable entry
- Opalised diffuser for even light distribution



Applications

Commercial, residential, hospitality



IP20
Ingress Protection Rating



4 Year
Warranty



54,000hr
Lifetime (L70B50)



Ta40
Operational Temperature Rating



Non-Dimmable



IK06
Impact Rating



| CODE | SYSTEM WATTAGE | EXIT LUMEN | LUMEN/WATT | CCT | CRI | ENERGY SCHEME |
|----------------|---------------------|---------------------------------|---|---------------------------|-----|-------------------------|
| ECOBAT404ECSLS | 36W/18W/ 25W/30W | 3600lm/2180lm/ 2700lm/3200lm | 100lm/W /121lm/W /108lm/W /106lm/W | 4000K/ 5000K/ 6500K | >80 | ● IPART ● VEU ● REES |

| ACCESSORY CODE | DESCRIPTION |
|----------------|------------------------------|
| WG4 | Wireguard 1200M c/w brackets |



ECOBAT404ECSLS

Eco LED Colour Select Batten

(comes with Integrated Sensor)

COLOUR SELECT

Battens

Designed with the professional installer in mind, the ECO LED Batten is easy to install with quick connect driver one piece sealed LED module.

- One-box solution with 3-in-1 colour temperature
- Easy to wire with central and side cable access
- Integrated HF sensor with on/off switching based on movement



Applications

Commercial, residential, hospitality



IP20
Ingress Protection Rating



4 Year
Warranty



54,000hr
Lifetime (L70B50)



Ta40
Operational Temperature Rating



Non-Dimmable



IK06
Impact Rating



| CODE | SYSTEM WATTAGE | EXIT LUMEN | LUMEN/WATT | CCT | CRI |
|---------------------------|----------------|------------|------------|---------------------|-----|
| ECOBAT404ECSD (HF Sensor) | 40W | 4300 | 100lm/W | 4000K/ 5000K/ 6500K | >80 |

| ACCESSORY CODE | DESCRIPTION |
|----------------|------------------------------|
| WG4 | Wireguard 1200M c/w brackets |

| SENSOR SPECIFICATION* | |
|----------------------------------|---|
| Sensor type | High frequency sensor |
| Detection zone | Max: 10m (Ø) x 6m (H) |
| Sensitivity settings | Select from 4 options; 100%, 75%, 50%, 10% |
| Hold-time | Select from 4 options; 5s, 90s, 5min, 15min |
| Light level sensitivity settings | Select from 4 options; 2 Lux, 10 Lux, 50 Lux, disable |



ECOBAT404ECSD

*Applicable to ECOBAT404ECSD HF Sensor variation only.

Nipper LED Batten (wide body)

COLOUR SELECT

LUMEN SELECT™

The NIPPER is an efficient wide base LED linear batten designed in a sealed removable LED module and a white metal back plate with large terminal blocks for ease of installation.

- Designed with a wide 130mm width base to easily replace old and energy consuming twin fluorescent battens
- Flicker free LED driver built-in for increased visual acuity and comfort
- Frosted diffuser made from impact resistant material that produces cleanlight, ideal for surface mount or suspended installations



Applications

Commercial



IP20
Ingress Protection Rating



4 Year
Warranty



54,000hr
Lifetime (L70B50)



Ta40
Operational Temperature Rating

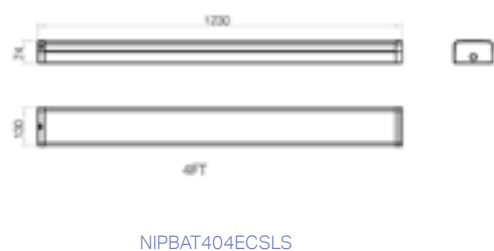
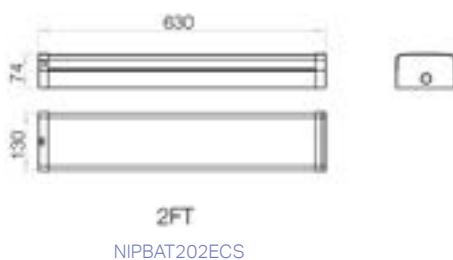


Non-Dimmable



| CODE | SYSTEM WATTAGE | EXIT LUMEN* | LUMEN/WATT* | CCT | CRI |
|----------------|---------------------|-------------------------|-------------|---------------------------|-----|
| NIPBAT202ECS | 18W | 1700/1900/ 1700 | > 94lm/W | 4000K/ 5000K/ 6500K | >80 |
| NIPBAT404ECSLS | 18W/25W/ 30W/36W | 2200/2890/ 3300/3860 | >110lm/W | 4000K/ 5000K/ 6500K | >80 |

*Based on 4000K



BWP Eco LED Weatherproof Batten Gen 2

COLOUR SELECT

LUMEN SELECT

Battens

The high output LED weatherproof batten has longer life and the ability to select your preferred lumen output/wattage within one light fitting.

- Colour Select, Lumen Select and Tri-Level Sensor options available
- Wide polycarbonate body to cover old footprint
- Easy installation with large terminal block, stainless steel mounting clips, 20mm cable gland and one optional knock-out at the opposite end



Applications

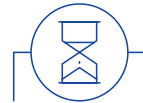
Commercial, industrial



IP65
Ingress Protection Rating



3 Year
Warranty



54,000hr
Lifetime (L70B50)

50,000hr
Lifetime (L70B50)
for BWPECO 404ECSSLSS



Ta40
Operational Temperature Rating



Non-Dimmable



IK08
Impact Rating



| CODE | SYSTEM WATTAGE | EXIT LUMEN* | LUMEN/WATT* | CCT | CRI | DIMMING | ENERGY SCHEME |
|----------------|---------------------|-------------|-------------|-----------------------|-----|------------------|-------------------------|
| BWPECO202ECS | 18W | 2100 | 116lm/W | 3000K/4000K/6000K | >80 | | ● IPART ● VEU ● REES |
| BWPECO404ECSSL | 20W/27W/ 33W/40W | 5200 | 117lm/W | 3000K/4000K/6000K | >80 | | ● IPART ● VEU ● REES |
| BWPECO505ECS | 52W | 5900 | 113lm/W | 3000K/4000K/6000K | >80 | | ● IPART ● VEU ● REES |
| BWPECO404ECSS | 40w | 4700lm | 117 | 3000k/4000k/ 6000k | 80 | Tri-Level Sensor | ● IPART ● VEU ● REES |

*Based on 3000K



BWPECO202ECS



BWPECO404ECSSL
BWPECO404ECSS



BWPECO505ECS



Vandaled CS

COLOUR SELECT

The Vandaled CS is a robust weatherproof batten, built for tough Australian conditions.

- Five optional cable entry points for versatility for easy installation
- Stainless steel allen key screws are retained in the durable silicone seal
- RAL9007 grey body with an opalized diffuser



Applications

Walkways, schools, mining camps, public amenities



IP65
Ingress Protection Rating



5 Year
Warranty



60,000hr
Lifetime (L70B50)



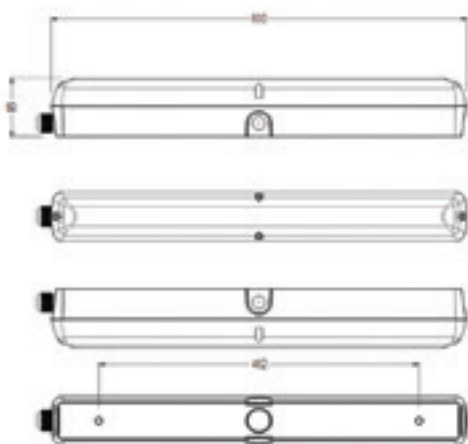
Ta0-50
Operational Temperature Rating



IK10
Impact Rating



| CODE | SYSTEM WATTAGE | EXIT LUMEN | LUMEN/WATT | CCT | CRI | ENERGY SCHEME |
|-----------|----------------|------------|------------|-----------------|-----|--|
| VLED20ECS | 20W | 2276/2407 | 120lm/W | 3000K/ 4000K | >80 | <ul style="list-style-type: none"> ● IPART ● VEU |



VLED20ECS

Carlton Colour Select LED Bunker

COLOUR SELECT

Aesthetically pleasing and functional, the new generation of Carlton bunker meets all the required of a well-designed outdoor fitting.

- One-box solution with 3-in-1 colour temperature and bonus decorative caged trim
- Easy to install with rear cable entry and suitable for wall and ceiling
- Available in 2 sizes (large and small) and 2 colour housing (white and black)



Bunkers & Bulkheads

Applications

Residential, domestic, hospitality



IP54
Ingress Protection Rating



2 Year
Warranty



30,000hr
Lifetime (L70B50)



Ta40
Operational Temperature Rating



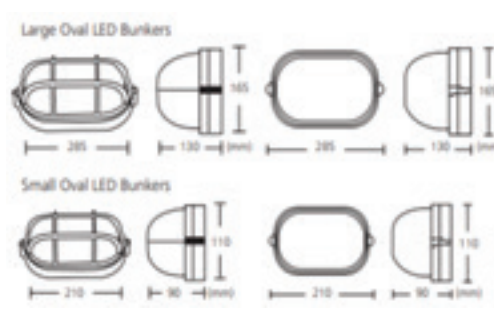
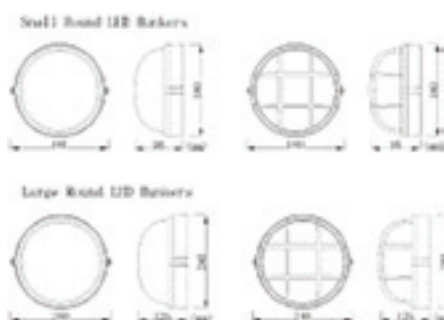
Non-Dimmable



IK04
Impact Rating



| CODE | SYSTEM WATTAGE | LUMEN | LUMEN/WATT | CCT | CRI | DIMENSIONS | HOUSING COLOUR |
|-----------|----------------|-------|------------|---------------------|-----|-----------------------|----------------|
| CB2746466 | 9W | 650 | 70lm/W | 3000K, 4000K, 6000K | >80 | 180mm x 95mm | Black |
| CB2746870 | 14.5W | 1100 | 75lm/W | 3000K, 4000K, 6000K | >80 | 240mm x 125mm | Black |
| CB2746567 | 9W | 650 | 70lm/W | 3000K, 4000K, 6000K | >80 | 180mm x 95mm | White |
| CB2746971 | 14.5W | 1100 | 75lm/W | 3000K, 4000K, 6000K | >80 | 240mm x 125mm | White |
| CB2747274 | 9W | 575 | 72lm/W | 3000K, 4000K, 6000K | >80 | 210mm x 110mm x 90mm | Black |
| CB2747678 | 14.5W | 996 | 76lm/W | 3000K, 4000K, 6000K | >80 | 285mm x 165mm x 130mm | Black |
| CB2747375 | 9W | 575 | 72lm/W | 3000K, 4000K, 6000K | >80 | 210mm x 110mm x 90mm | White |
| CB2747779 | 14.5W | 996 | 76lm/W | 3000K, 4000K, 6000K | >80 | 285mm x 165mm x 130mm | White |



Sirroco II LED Bulkhead

This class II decorative outdoor bulkhead is built with superior material to withstand outdoor conditions.

- One-box solution with bonus decorative eyelid trim, different look same fitting for different areas
- Double-insulated fitting, no earthing required, ideal for residential retrofit
- "Fit and forget" with integrated HF sensor, light stays off when adequate daylight is detected



Applications

Commercial, residential, hospitality



IP66
Ingress Protection Rating



3 Year
Warranty



30,000hr
Lifetime (L70B50)



Ta40
Operational Temperature Rating



Non-Dimmable



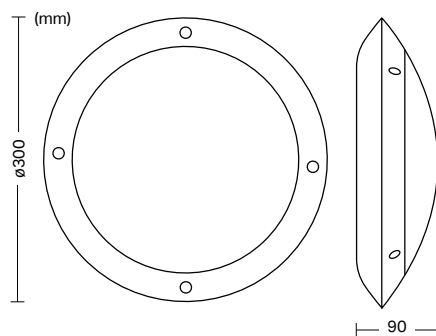
IK10
Impact Rating



| CODE | SYSTEM WATTAGE | EXIT LUMEN | LUMEN/WATT | CCT | CRI | DIMENSIONS | HOUSING COLOUR |
|---------------------------|----------------|------------|------------|-------|-----|--------------|----------------|
| CBH49287WH | 12W | 1000 | 80lm/W | 4000K | >80 | 300mm x 90mm | White |
| CBH49285BK | 12W | 1000 | 80lm/W | 4000K | >80 | 300mm x 90mm | Black |
| CBH49289BKSEN (HF Sensor) | 12W | 1000 | 80lm/W | 4000K | >80 | 300mm x 90mm | Black |

SENSOR SPECIFICATION*

| | |
|-----------------------------|---|
| Sensor type | High frequency sensor |
| Detection zone | Max: 8m (Ø) x 5m (H) |
| Detection angle | Select from 2 options: 50° or 100° |
| Sensor sensitivity | Select from 2 options: 50% or 100% |
| Hold-time | Select from 4 options: 5s, 90s, 3min, 10min |
| Light level detection range | Select from 4 options: 2 Lux, 10 Lux, 50 Lux, disable |
| Stand-by time | Select from 4 options: 0s, 10s, 10min, +∞ |
| Stand-by dim level | Select from 2 options: 10% or 30% |



CBH49289BKSEN
CBH49285BK
CBH49287WH

*Applicable to CBH49289BKSEN HF Sensor variation only.

Julux LED 2 Bulkhead

Classic design with an Opal prismatic polycarbonate cover.

- Weather resistant and ideal for harsh outdoor conditions
- Stylish high gloss black polycarbonate base
- Integral constant current driver



Bunkers & Bulkheads

Applications

Commercial, healthcare, residential



IP65
Ingress Protection Rating



1 Year
Warranty



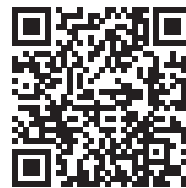
35,000hr
Lifetime (L70B50)



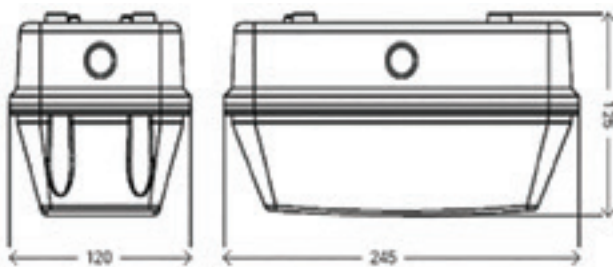
Ta40
Operational Temperature Rating



Non-Dimmable



| CODE | SYSTEM WATTAGE | EXIT LUMEN | LUMEN/WATT | CCT | CRI |
|-----------|----------------|------------|------------|-------|-----|
| JULUXLED2 | 9W | 660 | 70lm/W | 6000K | >70 |



JULUXLED2

Maxi Master Gen II LED Floodlight

Pierlite Maxi Master LED Floodlight GEN II range is designed for high-performance output and energy savings.

- Energy efficient LED floodlight, lower running costs
- Lightweight for easy installation
- Optional wire guard accessories available



Applications

Industrial, car parks

Optics: S = Symmetric, A = Asymmetric



IP65
Ingress Protection Rating



5 Year
Warranty



50,000hr
Lifetime (L70B50)



Ta40
Operational Temperature Rating



Non-Dimmable

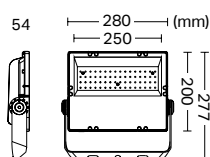


IK08
Impact Rating

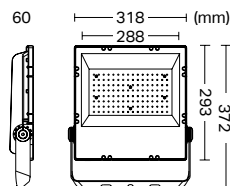


| CODE | SYSTEM WATTAGE | EXIT LUMEN | LUMEN/WATT | CCT | CRI | ENERGY SCHEME |
|---------|----------------|------------|------------|-------|-----|----------------------|
| MML50S | 50W | 5250 | 100lm/W | 4000k | >80 | ● IPART ● VEU ● REES |
| MML100S | 100W | 12000 | 120lm/W | 4000K | >80 | ● IPART ● VEU ● REES |
| MML200S | 200W | 24000 | 120lm/W | 4000K | >80 | ● IPART ● VEU ● REES |
| MML300S | 300W | 36000 | 120lm/W | 4000K | >80 | ● IPART ● VEU ● REES |
| MML100A | 100W | 12000 | 110lm/W | 4000K | >80 | ● IPART ● VEU ● REES |
| MML200A | 200W | 22000 | 110lm/W | 4000K | >80 | ● IPART ● VEU ● REES |
| MML300A | 300W | 33000 | 110lm/W | 4000K | >80 | ● IPART ● VEU ● REES |

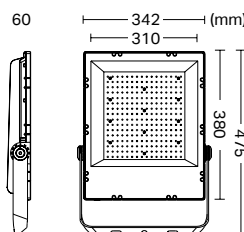
| ACCESSORY CODE | DESCRIPTION |
|----------------|-----------------------------|
| MML50WG | 50W Maxi Master wire guard |
| MML100WG | 100W Maxi Master wire guard |
| MML200WG | 200W Maxi Master wire guard |
| MML300WG | 300W Maxi Master wire guard |



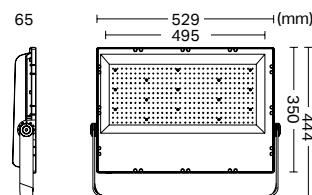
MML100S



MML100S



MML200S



MML300S

Shadoweco LED Floodlight

COLOUR SELECT

LUMEN SELECT

The Pierlite SHADOWECO LED Floodlight is available in 15W/30W, 50W, 100W and 200W options giving you the general floodlighting ability to illuminate industry & light commercial areas.

- One box solution with colour select and lumen select available
- Textured tempered glass to minimize glaze, 316 grade stainless steel screws
- Black powder coated and made of LM6 die-cast aluminium ideal for harsh outdoor conditions



Applications

Residential, commercial, industrial



IP65
Ingress Protection Rating



3 Year
Warranty



25,000hr
Lifetime (L70B50)
*30W & 50W



50,000hr
Lifetime (L70B50)
*100W & 200W



Ta40
Operational Temperature Rating



Non-Dimmable



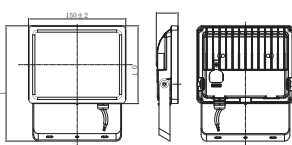
IK06
Impact Rating
*30W & 50W



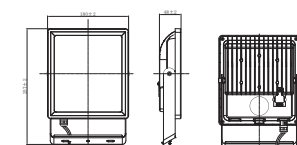
IK08
Impact Rating
*100W & 200W



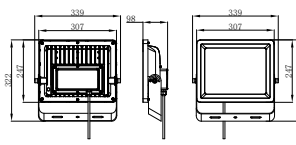
| CODE | SYSTEM WATTAGE | LUMEN | LUMEN/WATT | CCT | CRI | ENERGY SCHEME |
|-----------------|----------------|-------|------------|-------------------|-----|----------------------|
| SHADOWECO30CSLS | 15W/30W | 2900 | 100lm/W | 3000K/4000K/6500K | >80 | |
| SHADOWECO50CS | 50W | 5290 | 100lm/W | 3000K/4000K/6500K | >80 | |
| SHADOWECO100CS | 100W | 10000 | 100lm/W | 3000K/4000K/5000K | >80 | ● IPART ● VEU ● REES |
| SHADOWECO200CS | 200W | 20000 | 100lm/W | 3000K/4000K/5000K | >80 | ● IPART ● VEU ● REES |



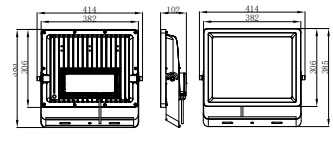
SHADOWECO30CSLS



SHADOWECO50CS



SHADOWECO100CS



SHADOWECO200CS

Hornet LED Floodlight

The Pierlite award winning LED floodlight brings the best performance and design in a compact, slimline package.

- Adjustable head 300° horizontal, 200° vertical with flexibility to direct the light (up/down/sideways)
- Complete with 1m lead for easy installation
- Retro-fit accessory included for easy installation onto existing floodlight mounting points



Applications

Commercial, residential, hospitality

IP66
Ingress Protection Rating

3 Year
Warranty

30,000hr
Lifetime (L70B50)

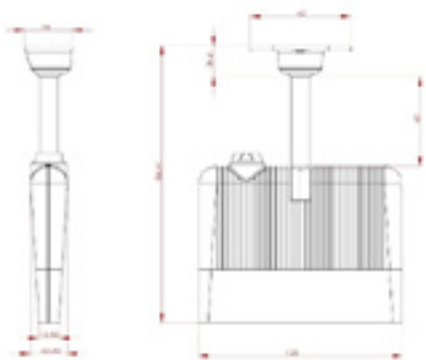
Ta40
Operational Temperature Rating

Non-Dimmable

IK07
Impact Rating



| CODE | SYSTEM WATTAGE | EXIT LUMEN | LUMEN/WATT | CCT | CRI |
|-----------|----------------|------------|------------|-------|-----|
| CFL20840 | 20W | 1600 | 80lm/W | 4000K | >80 |
| CFL20830* | 20W | 1600 | 80lm/W | 3000K | >80 |



Eco LED Emergency Batten Gen 4

COLOUR SELECT 
LUMEN SELECT 

One box solution with colour and lumen select across the range. Now with a 5 year warranty and a 10% increase in efficiency from the previous gen using a new LED system for lower power consumption, it makes an ideal replacement for traditional battens.

- Opalised diffuser for even light distribution
- Uses quick release clips and removable connectors for easy installation
- Replaceable Lithium Iron Phosphate (LiFePO4) battery



Emergency & Exit Lights

Applications

Commercial, residential, industrial



IP20
Ingress Protection Rating



5 Year
Warranty (including battery)



54,000hr
Lifetime (L70B50)



Ta0-40
Operational Temperature Rating



Non-Dimmable

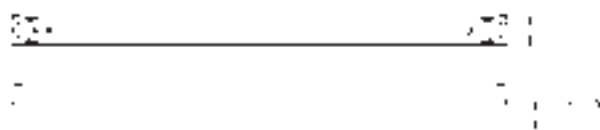


| CODE | SYSTEM WATTAGE | EXIT LUMEN | LUMEN/WATT | CCT | CRI |
|-------------------|---------------------|-------------------------|------------|-------------------|-----|
| ECOBAT202ECSLSG4M | 11W/14W/ 16W/18W | 1100/1400/ 1600/1900 | 110lm/W | 4000K/5000K/6500K | 80 |
| ECOBAT404ECSLSG4M | 18W/25W/ 30W/36W | 2300/3000/ 3500/4000 | 110lm/W | 4000K/5000K/6500K | 80 |

| ACCESSORY CODE | DESCRIPTION |
|----------------|------------------------------|
| WG2 | Wireguard 600mm c/w bracket |
| WG4 | Wireguard 1200mm c/w bracket |



ECOBAT202ECSLSG4M



ECOBAT404ECS/ME

Nipper LED Emergency Batten

COLOUR SELECT 

LUMEN SELECT 

The Nipper is an efficient wide base LED linear batten designed in a sealed removable LED module and a white metal back plate with large terminal blocks for ease of installation.

- Energy efficient LED emergency luminaire AS2293 compliant
- Maintained Emergency operation with Lithium Iron Phosphate (LiFePO4) battery
- Designed with a wide 130mm width base to easily replace old and energy consuming twin fluorescent battens



Applications

Commercial



IP20
Ingress Protection Rating



4 Year
Warranty (including battery)



54,000hr
Lifetime (L70B50)



Ta40
Operational Temperature Rating



Non-Dimmable



| CODE | SYSTEM WATTAGE | LUMEN | LUMEN/WATT | CCT | CRI |
|-----------------|---------------------|-------------------------|------------|-------------------|-----|
| NIPBAT404ECSLME | 18W/25W/ 30W/36W | 2200/2890/ 3300/3860 | >110lm/W | 4000K/5000K/6500K | >80 |

*Based on 4000K



NIPBAT404ECSLME

BWP Eco Colour Select LED Emergency Weatherproof Batten

The BWP Eco LED Emergency Weatherproof Batten has been designed to achieve higher emergency classification complete with Lithium Iron Phosphate battery.

- Available in multiple sizes and wattages 655mm (Mains 20w); 1265mm (Mains 20w/27w/33w/40w) and 1565mm (Mains 53w)
- Energy efficient LED weatherproof emergency luminaire AS2293 compliant
- Replaceable Lithium Iron Phosphate (LiFePO4) battery

COLOUR SELECT

LUMEN SELECT™



Emergency & Exit Lights

Applications

Commercial, industrial



IP65
Ingress Protection Rating



3 Year
Warranty (including battery)



54,000hr
Lifetime (L70B50)



50,000hr
Lifetime (L70B50) for BWPECO 404ECSEMS



Ta40
Operational Temperature Rating



Non-Dimmable



IK08
Impact Rating

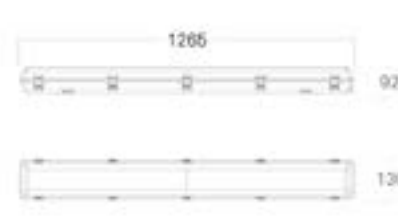


| CODE | SYSTEM WATTAGE | LUMEN | LUMEN/WATT | CCT | CRI | DIMMING | ENERGY SCHEME |
|-----------------|----------------|--------|------------|-------------------|-----|------------------|---------------|
| BWPECO202ECSEM | 20W | 2100 | 105lm/W | 3000K/4000K/6000K | >80 | | ● IPART ● VEU |
| BWPECO404ECSEM | 40W | 4700 | 117lm/W | 3000K/4000K/6000K | >80 | | ● IPART ● VEU |
| BWPECO505ECSEM | 52W | 5900 | 113lm/W | 3000K/4000K/6000K | >80 | | ● IPART ● VEU |
| BWPECO404ECSEMS | 40w | 4700lm | 117lm/W | 3000k/4000k/6000k | >80 | Tri-Level Sensor | ● IPART ● VEU |

*Based on 3000K



BWPECO202ECSEM



BWPECO404ECSEM
BWPECO404ECSEMS



BWPECO505ECSEM

Director 2 LED Exit Light

General purpose traditional interior exit luminaire, in LED and LiFePO4 battery.

- Wall and ceiling mount, complete with replaceable Lithium Iron Phosphate (LiFePO4) battery
- Includes all pictogram inserts and one box solution with a fully integrated assembly makes for easier installation
- 24m viewing distance

Applications

Commercial, retail, hospitality, industrial



IP20
Ingress Protection Rating



3 Year
Warranty (including battery)



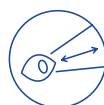
50,000hr
Lifetime (L70B50)



Ta40
Operational Temperature Rating



Non-Dimmable

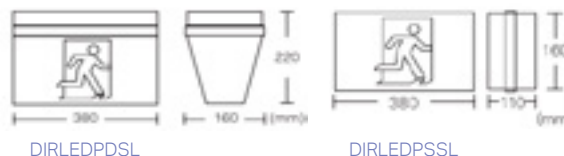


24m
Viewing Distance



| CODE | SYSTEM WATTAGE | EXIT LUMEN | LUMEN/WATT |
|----------------------|----------------|------------|------------|
| DIRLEDPDSL (Ceiling) | 4.6W | 220 | 48lm/W |
| DIRLEDPSSL (Wall) | 4.6W | 220 | 48lm/W |

| ACCESSORY CODE | DESCRIPTION |
|----------------|---------------------------------------|
| BATPK1500/1L11 | LiFePO4 battery, 1 cell 3.2V 1500 mAh |



| DIRLEDPSSL (WALL MOUNT) AS/NZS 2293.1:2018 CLASSIFICATION TABLE | | | | |
|--|--|-----|------|------|
| ALLOWABLE LUMINAIRE MOUNTING HEIGHT (M) | LUMINAIRE MAXIMUM SPACING FOR EACH PLANE (M) | | | |
| | C0 | C90 | C180 | C270 |
| 2.1 | 3.7 | 4.1 | 0 | 4.1 |
| 2.4 | 0 | 4.1 | 0 | 4.1 |
| 2.7 | 0 | 0 | 0 | 0 |

| DIRLEDPDSL (CEILING MOUNT) AS/NZS 2293.1:2018 CLASSIFICATION TABLE | | |
|---|--|----------|
| ALLOWABLE LUMINAIRE MOUNTING HEIGHT (M) | LUMINAIRE MAXIMUM SPACING FOR EACH PLANE (M) | |
| | C0/C180 | C90/C270 |
| 2.1 | 7.8 | 8.5 |
| 2.4 | 8 | 8.8 |
| 2.7 | 8.1 | 8.9 |

Stingray 2 LED Exit Light

A stylish, quick connect LED exit luminaire for interior exit sign application.

- Ceiling mount and optional wall mount
- Includes all pictogram inserts and one box solution with a fully integrated assembly makes for easier installation
- 24m viewing distance
- Optional IP65 kit



Applications

Commercial, residential, hospitality, retail



IP20
Ingress Protection Rating



3 Year
Warranty (including battery)



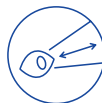
50,000hr
Lifetime (L70B50)



Ta40
Operational Temperature Rating



Non-Dimmable

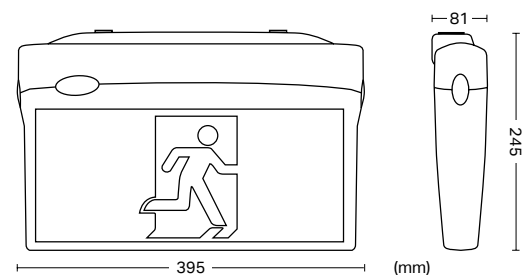


24m
Viewing Distance



| CODE | SYSTEM WATTAGE | EXIT LUMEN | LUMEN/WATT |
|------------------|----------------|------------|------------|
| STLED-L (White) | 4.6W | 124 | 27lm/W |
| STTLED-L (Black) | 4.6W | 124 | 27lm/W |

| ACCESSORY CODE | DESCRIPTION |
|----------------|---------------------------------------|
| BATPK1500/1L11 | LiFePO4 battery, 1 cell 3.2V 1500 mAh |
| AQUALOCK-W | IP65 enclosure |
| 99023330 | Rod suspension kit 1600mm white |
| EXCB | Cantilever bracket wall mount kit |



STLED-L
STTLED-L

| STLED-L (STANDARD) AS/NZS 2293.1:2018 CLASSIFICATION TABLE | | |
|---|--|----------|
| ALLOWABLE LUMINAIRE MOUNTING HEIGHT (M) | LUMINAIRE MAXIMUM SPACING FOR EACH PLANE (M) | |
| | C0/C180 | C90/C270 |
| 2.1 | 6.5 | 5 |
| 2.4 | 6.5 | 5.2 |
| 2.7 | 6.5 | 5.2 |

Firefly 2 LED Emergency Light

The affordable and reliable LED emergency light with Lithium Iron Phosphate battery One box solution with a fully integrated assembly.

- Easy installation, flex and plug included
- Optional surface mounting kit
- Replaceable Lithium Iron Phosphate (LiFePO4) battery



Applications

Commercial, residential, hospitality, retail



IP20
Ingress Protection Rating



3 Year
Warranty (including battery)



50,000hr
Lifetime (L70B50)



Ta40
Operational Temperature Rating



Non-Dimmable



| CODE | SYSTEM WATTAGE | EXIT LUMEN | LUMEN/WATT |
|-------------------|----------------|------------|------------|
| FFRLED2 (White) | 2.5W | 174 | 93lm/W |
| FFRLEDBK2 (Black) | 2.5W | 174 | 93lm/W |

| ACCESSORY CODE | DESCRIPTION |
|----------------|---|
| FFSLEDKITWH | Surface mounted kit (white) |
| FFSLEDKITBK | Surface mounted kit (black) |
| BATPK1200/4L41 | LiFePO4, 4 cell 6.4V 1200 mAh rechargeable battery pack |

| FFRLED2 & FFRLEDBK2 AS/NZS 2293.1:2018 CLASSIFICATION TABLE | | | |
|--|--|---------|------|
| ALLOWABLE LUMINAIRE MOUNTING HEIGHT (M) | LUMINAIRE MAXIMUM SPACING FOR EACH PLANE (M) | | |
| | C0 | C90/270 | C180 |
| 2.1 | 11.5 | 11.5 | 11.5 |
| 2.4 | 13.2 | 13.2 | 13.2 |
| 2.7 | 14.8 | 14.8 | 14.8 |
| 3 | 16.5 | 16.5 | 16.5 |
| 3.3 | 17.6 | 17.6 | 17.6 |
| 3.6 | 18 | 18 | 18 |
| 4 | 18.5 | 18.5 | 18.5 |
| 4.5 | 19 | 19 | 19 |
| 5 | 19.5 | 19.5 | 19.5 |
| 6 | 20.1 | 20.1 | 20.1 |



cut out: ø114
FFRLED2
FFRLEDBK2

Pathfinder Eco LED Emergency

The affordable and reliable LED emergency light complete with Lithium Iron Phosphate battery. Available in standard and DALI versions

- High luminous efficacy to maximize spacing
- Recessed mount white finish
- Flex and plug included for easy installation
- Replaceable Lithium Iron Phosphate (LiFePO4) battery



Applications

Commercial, residential, hospitality, retail



IP20
Ingress
Protection
Rating



4 Year
Warranty
(including
battery)



50,000hr
Lifetime
(L70B50)



Ta40
Operational
Temperature
Rating



Non-
Dimmable



| CODE | SYSTEM WATTAGE | EXIT LUMEN | LUMEN/WATT |
|----------------------|----------------|------------|------------|
| PFDLED-ECO (DALI) | 3W | 339lm | 113lm/W |
| PFDLED-ECO-SF (DALI) | 3W | 339lm | 113lm/W |
| PFLED-ECO | 1.5W | 217lm | 144lm/W |
| PFLED-ECO-SF | 1.5W | 217lm | 144lm/W |

| ACCESSORY CODE | DESCRIPTION |
|----------------|---|
| PFSKIT-L2 | Pathfinder 2 D80 Surface Kit White |
| FFLEDVK | Ceiling Mount Vandal Kit |
| BATPK1500/1L11 | LiFePO4, battery pack 1 CELL 3.2V 1500mAh rechargeable battery pack |

PFLED-ECO & PFDLED-ECO AS/NZS 2293.1:2018 CLASSIFICATION TABLE

| ALLOWABLE LUMINAIRE MOUNTING HEIGHT (M) | LUMINAIRE MAXIMUM SPACING FOR EACH PLANE (M) FOR PFDLED AND (PFLED) | | |
|---|---|-------------|-------------|
| | C0 | C90/270 | C180 |
| 2.1 | 11.5 | 11.5 | 11.5 |
| 2.4 | 13.2 | 13.2 | 13.2 |
| 2.7 | 14.8 | 14.8 | 14.8 |
| 3 | 16.5 | 16.5 | 16.5 |
| 3.3 | 18.1 | 18.1 | 18.1 |
| 3.6 | 19.8 (19.5) | 19.8 (19.5) | 19.8 (19.5) |
| 4 | 22 (20.1) | 22 (20.1) | 22 (20.1) |
| 4.5 | 24.5 (20.7) | 24.5 (20.7) | 24.5 (20.7) |
| 5 | 25.2 (21.2) | 25.2 (21.2) | 25.2 (21.2) |
| 6 | 26.4 (22.1) | 26.4 (22.1) | 26.4 (22.1) |
| 7 | 27.3 (22.6) | 27.3 (22.6) | 27.3 (22.6) |



Guardian 2 LED Emergency Floodlight

The affordable and reliable LED emergency floodlight complete with twin LED adjustable heads and lithium iron phosphate battery.



- Non corrosive polycarbonate housing and reflectors
- IP20 as standard; weatherproof enclosure available with IP65 certification
- Replaceable Lithium Iron Phosphate (LiFePO4) battery

Applications

Commercial, industrial



IP20
Ingress Protection Rating



3 Year
Warranty (including battery)



50,000hr
Lifetime (L70B50)



Ta40
Operational Temperature Rating



Non-Dimmable

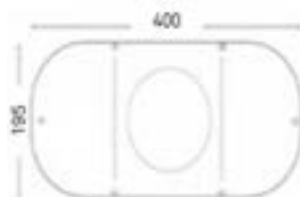


| CODE | SYSTEM WATTAGE | EXIT LUMEN | LUMEN/WATT | CCT | CRI |
|------------|----------------|------------|------------|-------|-----|
| GRLED7FL-L | 4W | 616 | 100lm/W | 4000K | >80 |

| ACCESSORY CODE | DESCRIPTION |
|-----------------|---------------------------------|
| GRWPENCL | IP65 enclosure |
| DGLCEM3200/2L12 | BATTERY LIFEPO4 2C 6.4V 3200MAH |



GRLED7FL-L



GRWPENCL

LEDsmart™ Adaptive Phase Dimmer

Providing optimised dimming of LED based lamps and drivers, this high quality, two-wire phase control wall plate dimmer has a minimum load rating of 2W, allowing it to adapt to a wide range of available LED drivers.

- Rotary control with mechanical adjustment for minimum brightness level
- Separately switched 2-wire design - no neutral wire connection required
- Soft start to help prolong the lamp and driver life

Applications

Commercial, residential, hospitality



Dimmers & Sensors



IP20
Ingress Protection Rating



2 Year
Warranty

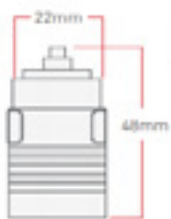


Ta50
Operational Temperature Rating



| CODE | DESCRIPTION |
|------|---|
| MEDM | Dimmer precision phase adaptive mechanism |

| ACCESSORY CODE | DESCRIPTION |
|----------------|---------------------------------|
| DGACCESSPK5 | 5x Black dials for MEDM dimmers |



MEDM

LEDsmart+™ Dimmers, Switches & Timers



Providing optimised dimming of LED based lamps and drivers, this high quality, two-wire phase control dimmer can be connected in parallel to other LEDsmart+ devices to provide a simple solution to multi-way control.



- Suitable for one-way, two-way, three-way and multi-way dimming
- MultiMate™ technology allows multi-way dimming/switching with no extra wires
- Active only two wire connection - no neutral required

Applications

Commercial, residential, hospitality



IP20
Ingress Protection Rating



2 Year
Warranty



Ta50
Operational Temperature Rating



MMDM/RT



MMSW/PB



MMDM/PB



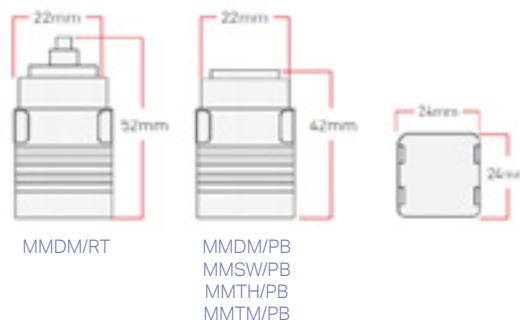
MMTH/PB



MMTMPB

| CODE | DESCRIPTION | COMPATIBLE WITH: |
|---------|---------------------------|-----------------------|
| MMDM/RT | Rotary dimmer/switch | Phase dimming product |
| MMDM/PB | Push button dimmer/switch | Phase dimming product |
| MMSW/PB | Push button switch | Phase dimming product |
| MMTH/PB | Push button hour timer | Phase dimming product |
| MMTM/PB | Push button minute timer | Phase dimming product |

| ACCESSORY CODE | DESCRIPTION |
|---------------------------------|--|
| MMCE/RT (suitable for RT only) | LEDsmart+ rotary controller and wall mounting kit |
| MMCE/SS1 (suitable for PB only) | LEDsmart+ circular push button enclosure and mounting kit - single |
| MMCE/SS2 (suitable for PB only) | LEDsmart+ circular push button enclosure and mounting kit - double |
| DGACCESSPK1 | Coloured bezel adaptor kits LEDsmart and Rapix push buttons |
| DGACCESSPK2 | Push button adaptor kit for LEDsmart+ and Rapix push button SW |
| DGACCESSPK3 | Rotary adaptor kit for LEDsmart+ and Rapix rotary products |



LEDsmart+™ Occupancy Sensor

The LEDsmart+ Occupancy Sensor can be used by itself or connected to other LEDsmart+ devices. By itself, the sensor switches lighting when movement is detected.

- Ceiling mount included – no other mounting hardware needed
- Sensors can be wired in parallel to extend coverage area
- Timeout from 1 minute to 60 minutes

Applications

Commercial, residential, hospitality



Dimmers & Sensors



IP20
Ingress
Protection
Rating



2 Year
Warranty



Ta50
Operational
Temperature
Rating

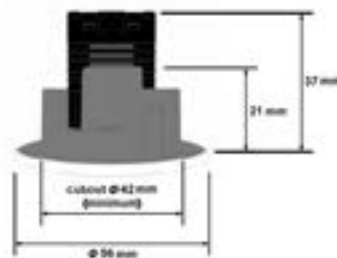
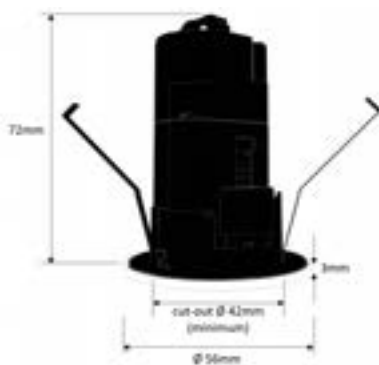


CODE

MMSE/PR

DESCRIPTION

LEDsmart+ PIR occupancy sensor with MultiMate technology



MMSE/PR

LEDsmart+™ Digital Level Display

This device can be used in conjunction with a dimmer to display the current dimmed level via a circular array of 16 LED's and fits into a standard Australian wall plate aperture.



- 2-wire device – connects to active and load only, no neutral connection required
- Plain white front face or alternative front face with light globe icon
- Includes alternative light pipes to change the LED indicator display colour from white to orange, green or blue

Applications

Commercial, residential, hospitality



IP20
Ingress Protection Rating



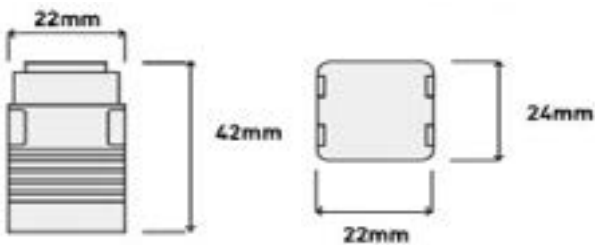
2 Year
Warranty



Ta50
Operational Temperature Rating



| CODE | DESCRIPTION |
|---------|---------------------------------|
| MMDM/DD | LEDsmart+ digital level display |



MMDM/DD

Smart Scan Two Channel Sensor

Pierlite Smart Scan flush mount sensor package consisting of a small 360° passive infrared sensor head and a control/relay module.

- Recessed Flush Mount 360° PIR Presence Sensor with two channel control module option
- 360° detection zone up to 7m diameter at mounting height of 2.7m
- Flame retardant polycarbonate body conveniently packed with remote driver



Applications

Commercial, residential, hospitality



IP20
Ingress Protection Rating



2 Year
Warranty



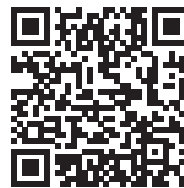
50,000hr
Lifetime



Ta50
Operational Temperature Rating



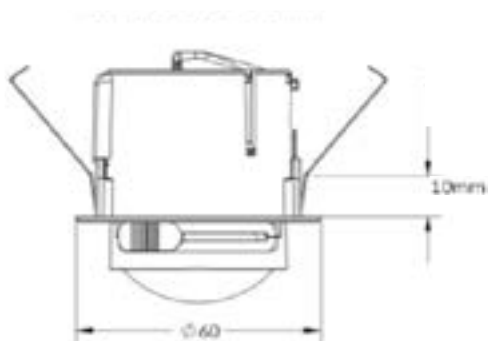
54mm
Cut-Out



CODE

DESCRIPTION

| CODE | DESCRIPTION |
|------------|--|
| SMARTSCAN2 | 360° PIR sensor with two channel 16A sensor control module |



SMARTSCAN2

Smart Scan Sensor MKII- Ceiling Mounted Motion Sensor

The ceiling mounted motion sensors consists of two items; a 360° high definition passive infrared (HDIR™) sensor head and a control/relay module.

- High sensitivity 360° detection array designed for both minor and major movement applications
- Integrated light level detector to inhibit switch-on if there is sufficient natural light available
- Hidden yet easily accessible sensor head adjustment controls for time-out and light level adjustment



Applications

Commercial, residential, hospitality



IP20
Ingress
Protection
Rating



2 Year
Warranty



Ta50
Operational
Temperature
Rating



52mm
Cut-Out

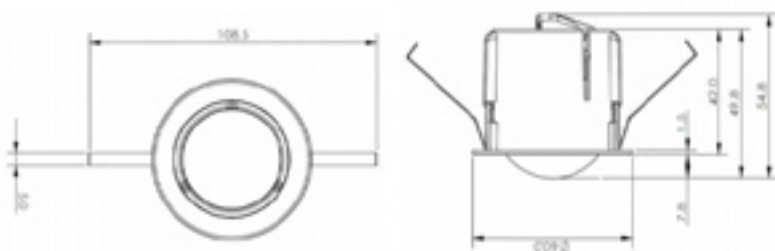


CODE

DGSMARTSCAN1HD

DESCRIPTION

Smart Scan MK2 360° PIR HD sensor 1 channel 16A output



DGSMARTSCAN1HD



TOP SELLERS NOW AVAILABLE IN ONLY

1 WEEK EXPRESS*

BRINGING THE BEST
INNOVATIONS TO YOU
AT THE SPEED YOU NEED.

Whether you're supplying for a non-scheduled project, sourcing for last minute replacements or disappointed with missed deliveries, Pierlite's 1 WEEK EXPRESS* offer is here to support your needs.

- No additional charges
- No add-ons
- No minimum order

Contact us at **1300 799 300**
or visit pierlite.com.au
to find out more.

*Products will be available for dispatch from NSW in 1 week. Does not take into consideration freight. Selected product models only.

INDEX

Downlights

| CODE | ENERGY SCHEME | IP/IK RATING | PAGE |
|----------------------------|----------------------|---------------|------|
| CRYSECO1G2 | - | IP20 | 4 |
| CRYSECO5G2 | - | IP20 | 4 |
| DLP53/4/65FWG3 | ● IPART ● VEU ● REES | IP44 | 5 |
| DLP63/4/65FWG3 | ● IPART ● VEU ● REES | IP44 | 5 |
| CNX63/4/65B CNX63/4/65W | - | IP44/ IK03 | 6 |
| PLUX63/4/6KP | ● IPART ● VEU ● REES | IP44 | 7 |
| PLUX83/4/6K | ● IPART ● VEU ● REES | IP44 | 7 |
| PLUX43/4/6K | ● IPART ● VEU ● REES | IP44 | 7 |

Panels

| CODE | ENERGY SCHEME | IP/IK RATING | PAGE |
|---------------|---------------|--------------|------|
| ECOPL063CSEG2 | - | IP40 | 8 |
| ECOPL066CSEG2 | - | IP40 | 8 |
| ECOPL1234EG2 | - | IP40 | 8 |
| ECOPL1234UG19 | - | IP40 | 8 |
| ECOPL123CSEG2 | - | IP40 | 8 |

Highbays

| CODE | ENERGY SCHEME | IP/IK RATING | PAGE |
|------------------|----------------------|---------------|------|
| ECOHB-120W850G6 | ● IPART ● VEU ● REES | IP65/ IK08 | 9 |
| ECOHB-200W85LSG2 | ● IPART ● VEU ● REES | IP65/ IK08 | 9 |
| ECOHBSEHF | - | IP65 | 10 |

Oysters

| CODE | ENERGY SCHEME | IP/IK RATING | PAGE |
|-----------------|---------------|--------------|------|
| ORN16W3/4/6KDG3 | - | IP54 | 11 |
| ORN23W3/4/6KDG3 | - | IP54 | 11 |
| ORN23W3/4/6KSG3 | - | IP54 | 11 |
| SLMOYS183/4/6K | - | IP54 | 12 |
| SLMOYS273/4/6K | - | IP54 | 12 |

Battens

| CODE | ENERGY SCHEME | IP/IK RATING | PAGE |
|--------------------|----------------------|---------------|------|
| OBL600 | - | IP44 | 13 |
| OBL900 | - | IP44 | 13 |
| ECOBAT404 ECCLS | ● IPART ● VEU ● REES | IP20/ IK06 | 14 |
| ECOBAT404ECSD | - | IP20/ IK06 | 15 |
| NIPBAT202ECS | - | IP20 | 16 |
| NIPBAT404ECCLS | - | IP20 | 16 |
| BWPECO 404ECCLS | ● IPART ● VEU ● REES | IP65/ IK08 | 17 |
| BWPECO505ECS | ● IPART ● VEU ● REES | IP65/ IK08 | 17 |
| BWPECO404ECSS | ● IPART ● VEU ● REES | IP65/ IK08 | 17 |

Bunkers & Bulkheads

| CODE | ENERGY SCHEME | IP/IK RATING | PAGE |
|---------------|---------------|---------------|------|
| VLED20ECS | ● IPART ● VEU | IP65/ IK10 | 18 |
| CB2746870 | - | IP54/ IK04 | 19 |
| CB2746466 | - | IP54/ IK04 | 19 |
| CB2746971 | - | IP54/ IK04 | 19 |
| CB2746567 | - | IP54/ IK04 | 19 |
| CB2747274 | - | IP54/ IK04 | 19 |
| CB2747678 | - | IP54/ IK04 | 19 |
| CB2747375 | - | IP54/ IK04 | 19 |
| CB2747779 | - | IP54/ IK04 | 19 |
| CBH49289BKSEN | - | IP66/ IK10 | 20 |
| CBH49285BK | - | IP66/ IK10 | 20 |
| CBH49287WH | - | IP66/ IK10 | 20 |
| JULUXLED2 | - | IP65 | 21 |

Floodlights

| CODE | ENERGY SCHEME | IP/IK RATING | PAGE |
|------------------|----------------------|--------------|------|
| MML50S | ● IPART ● VEU ● REES | IP65/IK08 | 22 |
| MML100S | ● IPART ● VEU ● REES | IP65/IK08 | 22 |
| MML200S | ● IPART ● VEU ● REES | IP65/IK08 | 22 |
| MML300S | ● IPART ● VEU ● REES | IP65/IK08 | 22 |
| SHADOWECO 30CSLS | - | IP65/IK06/08 | 23 |
| SHADOWECO 50CS | - | IP65/IK06/08 | 23 |
| SHADOWE-CO100CS | ● IPART ● VEU ● REES | IP65/IK06/08 | 23 |
| SHADOWE-CO200CS | ● IPART ● VEU ● REES | IP65/IK06/08 | 23 |
| CFL20840 | - | IP66/IK07 | 24 |
| CFL20830 | - | IP66/IK07 | 24 |

Emergency/Exit Lights

| CODE | ENERGY SCHEME | IP/IK RATING | PAGE |
|--------------------|---------------|--------------|------|
| ECOBAT 202ECSLSG4M | - | IP20/IK06 | 25 |
| ECOBAT 404ECSLSG4M | - | IP20/IK06 | 25 |
| NIPBAT 404ECSLME | - | IP20 | 26 |
| BWPECO2 02ECSEM | ● IPART ● VEU | IP65/IK08 | 27 |
| BWPECO 404ECSEM | ● IPART ● VEU | IP65/IK08 | 27 |
| BWPECO 505ECSEM | ● IPART ● VEU | IP65/IK08 | 27 |
| BWPECO 404ECSEMS | ● IPART ● VEU | IP65/IK08 | 27 |
| DIRLEDPDSL | - | IP20 | 28 |
| DIRLEDPSSL | - | IP20 | 28 |
| STLED-L | - | IP20 | 29 |
| STTLED-L | - | IP20 | 29 |
| FFRLED2 (White) | - | IP20 | 30 |
| FFRLEDBK2 (Black) | - | IP20 | 30 |
| PFLED-ECO | - | IP20 | 31 |
| PFLED-ECO-SF | - | IP20 | 31 |
| PFLLED-ECO | - | IP20 | 31 |
| PFLLED-ECO-SF | - | IP20 | 31 |
| GRLED7FL-L | - | IP20 | 32 |

Dimmers & Sensors

| CODE | ENERGY SCHEME | IP/IK RATING | PAGE |
|-----------------|---------------|--------------|------|
| MEDM | - | IP20 | 33 |
| MMDM/RT | - | IP20 | 34 |
| MMDM/PB | - | IP20 | 34 |
| MMSW/PB | - | IP20 | 34 |
| MMTH/PB | - | IP20 | 34 |
| MMTM/PB | - | IP20 | 34 |
| MMSE/PR | - | IP20 | 35 |
| MMDM/DD | - | IP20 | 36 |
| SMARTSCAN2 | - | IP20 | 37 |
| DGSMARTSCAN-1HD | - | IP20 | 38 |

ENERGY SAVINGS SCHEME

Energy saving schemes are financial incentives introduced by state government to encourage businesses to retrofit or select energy efficient LED products in their facilities.

Majority of Pierlite products are approved by the respective schemes. Look out for the icons next to the product codes.

● IPART

Independent Pricing and Regulatory Tribunal (NSW)

● VEU



Victorian Energy Upgrades (VIC) (formerly VEET)

● REES



Victorian Energy Upgrades (SA)

Ingress protection ratings (IP) Defined by IEC 60598

The resistive performance of fittings to solids and liquids is indicated by the IP (Ingress Protection) prefix followed by two numbers.

The first number indicates the measure of protection against the ingress of solids. For instance: **IP2X**

The second number indicates the measure of protection against the ingress of liquids. For instance: **IPX5**

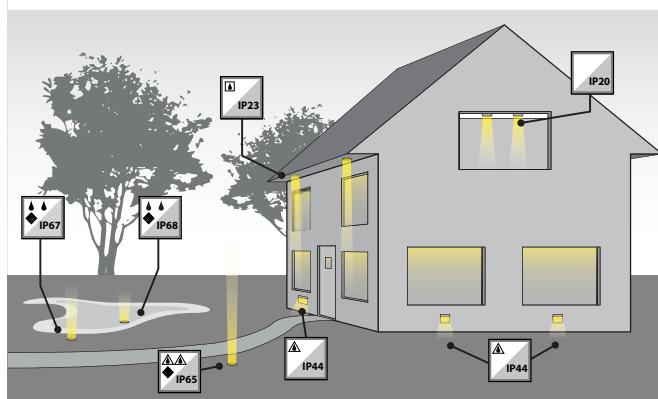
Ingress Protection (IP) Specification Guide

Protection against the ingress of solid objects IP:1X

| IP No. | Example | Protection against contact and ingress of objects | Tests |
|-------------|---------|--|--|
| IP1X | | Protected against solid objects greater than 50mm ø | A large surface of the body, such as a hand (but no protection against deliberate access). Solid objects exceeding 50mm in diameter. |
| IP2X | | Protected against solid objects greater than 12mm ø | Fingers or similar objects not exceeding 80 mm in length. Solid objects exceeding 12mm in diameter. |
| IP3X | | Protected against solid objects greater than 2.5mm ø | Tools, wires, etc., of diameter or thickness greater than 2.5mm. Solid objects exceeding 2.5mm in diameter. |
| IP4X | | Protected against solid objects greater than 1.0mm ø | Wires or strips of thickness greater than 1.0mm. Solid objects exceeding 1.0mm in diameter. |
| IP5X | | Dust protected | Ingress of dust is not totally prevented but dust does not enter in sufficient quantity to interfere with satisfactory operation of the equipment. |
| IP6X | | Dust tight | No ingress of dust. |

Protection against the ingress of liquids IP:X1

| IP No. | Example | Protection against contact and ingress of water | Tests |
|-------------|---------|--|---|
| IPX1 | | Protected against dripping water | Dripping water (vertically falling drops) shall have no harmful effect |
| IPX2 | | Protected against dripping water when tilted up to 15° | Vertically dripping water shall have no harmful effect when the enclosure is tilted at any angle up to 15° from its normal position |
| IPX3 | | Protected against spraying water | Water falling as a spray at an angle up to 60° from the vertical shall have no harmful effect |
| IPX4 | | Protected against splashing water | Water splashed against the enclosure from any direction shall have no harmful effect |
| IPX5 | | Protected against water jets | Water projected by a nozzle against the enclosure from any direction shall have no harmful effect |
| IPX6 | | Protected against heavy seas | Water from heavy seas or water projected in powerful jets shall not enter the enclosure in harmful quantities |
| IPX7 | | Protected against the effects of immersion | Ingress of water in a harmful quantity shall not be possible when the enclosure is immersed in water under defined conditions of pressure and time |
| IPX8 | | Protected against submersion | The equipment is suitable for continuous submersion in water under conditions which shall be specified by the manufacturer. NOTE Normally, this will mean that the equipment is hermetically sealed. However, with certain types of equipment, it can mean that water can enter but only in such a manner that it produces no harmful effects. |



IK ratings Defined by UTE 20010

Degree of Impact Protection EN62262.

IK rating system is an International classification showing degrees of protection provided by luminaires against external mechanical impacts.

| Number | Measure of protection – impact energy (joules) | Test |
|-------------|--|--------------------------|
| IK00 | No protection to this standard - | |
| IK01 | 0.15 | 0.20kg impact |
| IK02 | 0.20 | 0.20kg impact |
| IK03 | 0.35 | 0.20kg impact |
| IK04 | 0.50 | 0.20kg impact |
| IK05 | 0.70 | 0.20kg impact |
| IK06 | 1.00 | 0.50kg impact from 200mm |
| IK07 | 2.00 | 0.50kg impact from 400mm |
| IK08 | 5.00 | 1.70kg impact from 295mm |
| IK09 | 10.00 | 5.00kg impact from 200mm |
| IK10 | 20.00 | 5.00kg impact from 400mm |

When higher impact energy protection is required 50 joules is recommended.

Australian Standard on Recessed luminaires (ASNZS 60598.2.2-2016) otherwise known as IC rating has been in place since 2018. The standard stipulates the classifications of various type of recessed fittings suitable for different installation types, with the purpose of reducing risk of ignition due to inadequate separate between fitting and combustible building elements such as thermal insulation and/or debris. Pierlite's range of recessed fitting are designed to be fit for the application and at the highest safety standard.



IC-4

- Suitable for residential or commercial use
- Fitting *can be covered* with building insulation
- Can be used where air transfer is *not permitted or not desired* between living space & roof space



IC

- Suitable for residential or commercial use
- Fitting *can be loosely covered* with building insulation
- Can be used where some air transfer is *permitted or desired* between living space & roof space



CA 90

- Suitable for residential or commercial use
- Fitting *cannot be covered* with building insulation
- Insulation *can be placed against the sides* of the fitting



DO NOT COVER

- Suitable for residential or commercial use in AU. Not for residential use in NZ
- Fitting *cannot be covered* with building insulation
- Insulation must be *placed as per clearance distances* according to manufacturer's installation guide



NON-IC

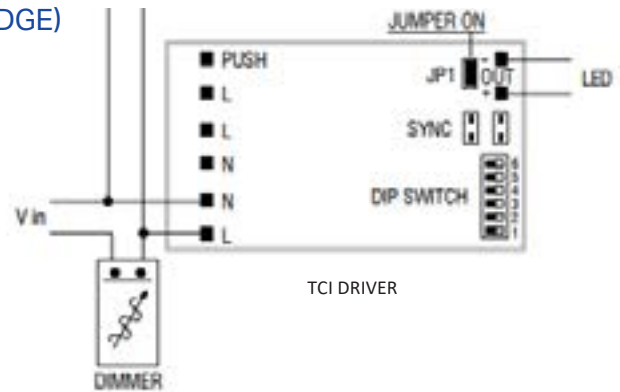
- Suitable for commercial use only
- *Not suitable for use in residential dwellings* or other places where insulation may be installed now or in the future
- *Not tested* for use with building insulation

DIMMING OPTIONS

Understanding the different dimming types is critical to the success of any lighting project.

PHASE-CUT DIMMING (TRAILING EDGE/LEADING EDGE)

The most basic form of dimming, originally developed for incandescent loads. This is your typical domestic type dimmer. No additional wiring other than standard 2C+E. The dimmer simply “chops” or “cuts” the voltage signal going to the light fitting. Dimmer is simply added to the Active line.

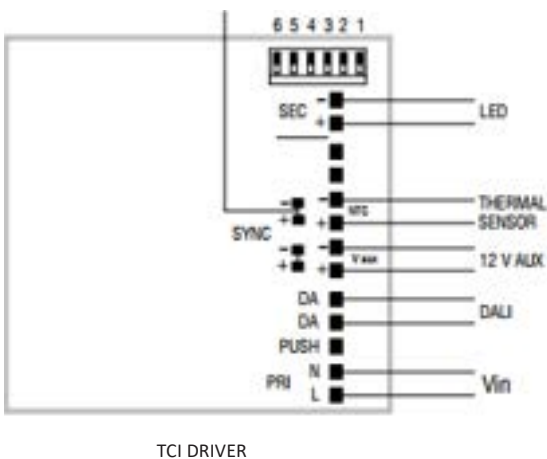


Additional 2-Core LV control cable is required.

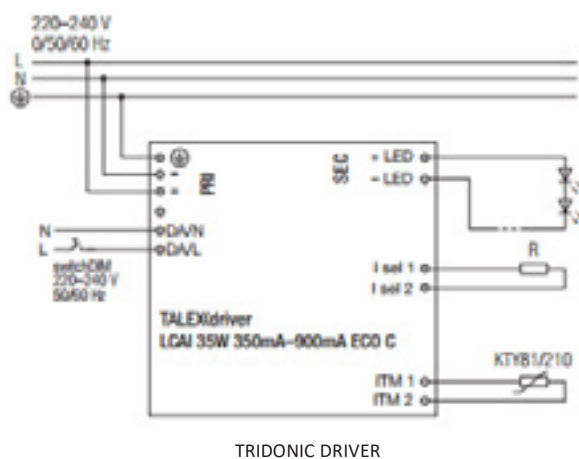
- Dedicated 1-10V interface or potentiometer is required to control this driver
- Available in out-puts ranging from 350mA – 1400mA

DALI

Digital Addressable Lighting Interface – DALI – is a universal protocol (IEC 62386), designed to allow varying manufacturers products to all work on the same system. So it doesn’t matter whose light fitting you are using, if it is DALI it will work on a DALI controlled system. Up to 64 light fittings can be controlled per DALI line, buildings can have multiple DALI lines. Wiring to a DALI downlight requires a standard 2C+E, plus two DALI control lines (not polarity sensitive).



TCI DRIVER



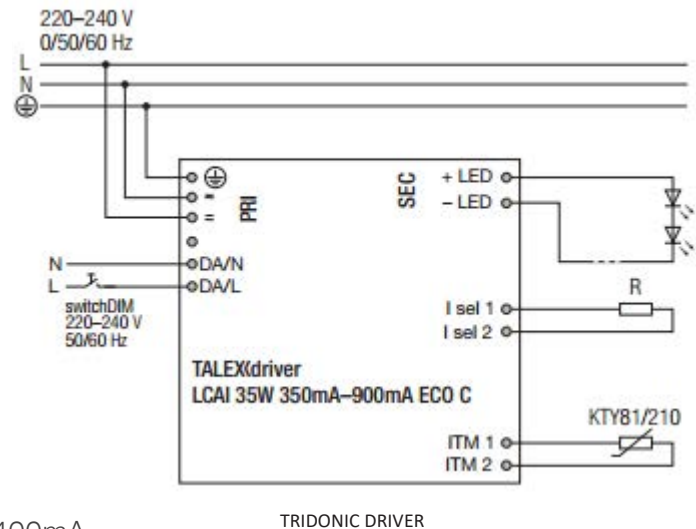
TRIDONIC DRIVER

- Additional 2-Core control cable is required.
- Dedicated DALI interface or Control System is required to control this System
- Available in out-puts ranging from 350mA – 1400mA

DSI

Digital Serial Interface – DSI – is a proprietary protocol of Tridonic. It was largely the precursor to the DALI system. Unlike DALI each fitting is not addressable, so each circuit must be controlled as a whole in the same manner. Again, each downlight requires standard 2C+E plus two DSI control lines (not polarity sensitive).

- Additional 2-Core control cable is required.
- Dedicated Control System is required to control the system
- Available in out-puts ranging from 350mA – 1400mA

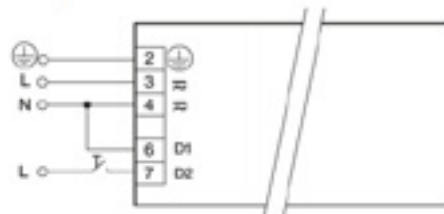


SWITCH DIM

Switch DIM is a proprietary term of Tridonic's, and essentially allows simple dimming through push button control, no low voltage cables or no digital controllers are required - Each downlight requires a standard 2C+E plus a 1 or 2 Core Switch wire, a "normally open" type push button switch is required to operate a Switch DIM system. Don't mix different Push DIM/Switch DIM drivers on the same circuit.

Four-pole wiring

Configuration:

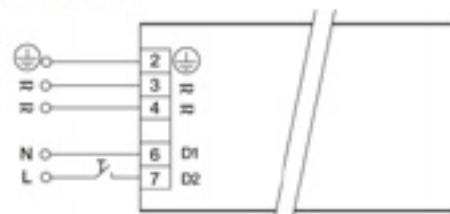


Phase (L), neutral (N), earth (PE), control line (L)

TRIDONIC DRIVER

Five-pole wiring

Configuration:



Phase (L), neutral (N), earth (PE), control line (L), neutral (N)

TRIDONIC DRIVER

- Additional 1-2 Core Switch wire is required.
- Dimming occurs through the use of a "normally open" type push button switch
- Available in out-puts ranging from 350mA – 1400mA

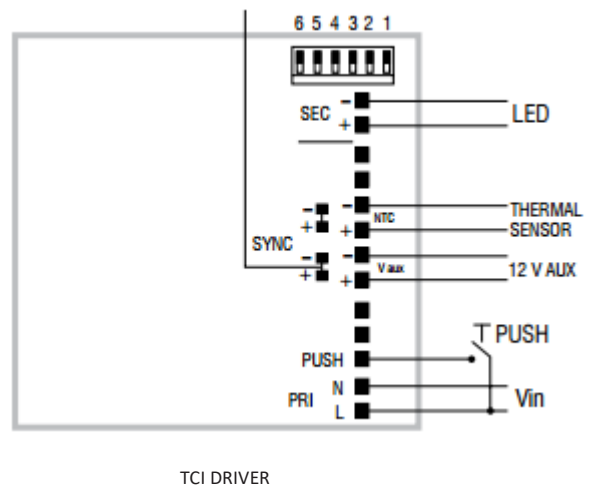


SCAN QR CODE FOR
DIMMER RESOURCES

PUSH DIM

Is one of the simplest types of dimming available on the market, and is suitable for use in small to medium sized installations. No low voltage cables or no digital controllers are required - each downlight requires a standard 2C+E plus a 1 or 2 Core Switch wire, a “normally open” type push button switch is required to operate a Push DIM system. Don't mix different Push DIM drivers on the same circuit.

- Additional 1-2 Core Switch wire is required.
- Dimming occurs through the use of a “normally open” type push button switch
- Available in out-puts ranging from 350mA – 1400mA



WHAT'S THE DIFFERENCE BETWEEN DELIVERED AND CHIP LUMEN?

When manufacturers quote lumen output for LED fixtures, it is not always easy comparing one against the other. This is because many manufacturers still quote the initial chip or source lumen, whereas others quote the actual delivered lumen.

SO WHAT IS THE DIFFERENCE?

Well basically the initial chip lumen are what comes out of the LED in a raw test state, so not when built into a luminaire. They are a little bit like what lamp lumen are in conventional lamps, such as fluorescent, i.e. what the lamp outputs in a raw state. There is one major difference here though, conventional lamps typically have two major losses applied to them when installed in a light fitting – electrical (i.e. ballast losses) and light output, our luminaire losses (i.e. the light that gets trapped in the luminaire and doesn't make it out). LED's have one more major cause of losses – heat. The same LED chip placed on two different heat sinks will result in two different sets of performance due to better or worse heat dissipation.

Therefore, a better engineered light fitting will typically have much improved performance, even if they both use the exact same LED chip/engine. Delivered lumen are the amount of lumen that make it out of the luminaire after all losses – heat, electrical and luminaire. They should be lumen that show in any luminaire photometric file, and are what we always strive to provide on our data sheets at Pierlite.

One general rule to follow is if a manufacturer doesn't say if they are delivered lumen, then they probably aren't. So when next comparing lumen to lumens, try and ensure you are comparing apples with apples (or delivered with delivered)!

PIERLITE®

INNOVATION CENTRE

TESTING THE LIMITS OF LIGHTING IN AUSTRALIA

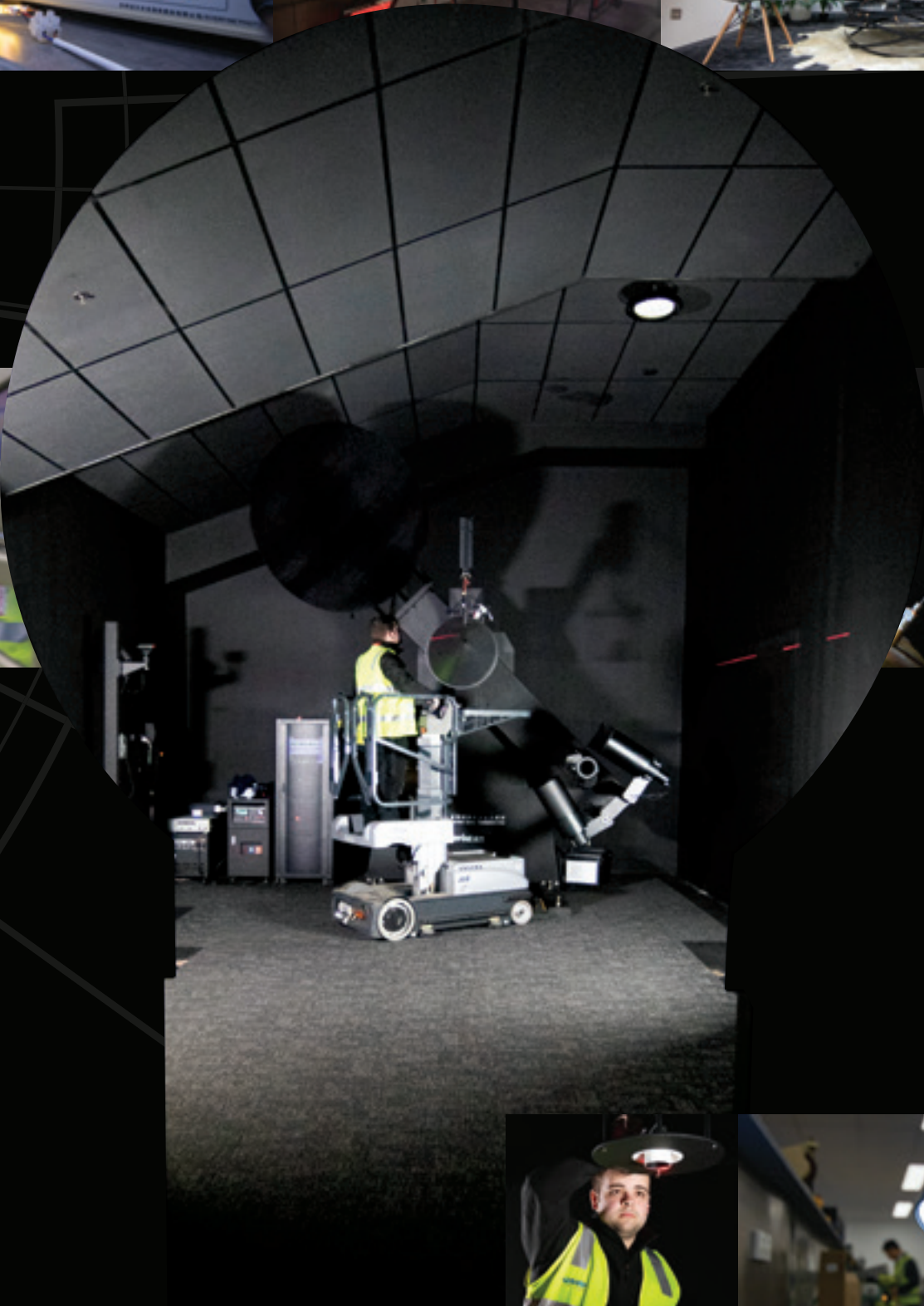
The Pierlite Innovation Centre, located at our head office in Padstow NSW, is a state-of-the-art engineering and laboratory facility built to deliver custom product design and full compliance testing.

Pierlite is one of the few Australian lighting manufacturers that have an in-house testing facility ensuring complete quality control, agile product development and technical aftersales support capabilities.

The Pierlite Innovation Centre encompasses:

- Photometry
- Thermal chambers
- Endurance chambers
- Testing facilities for electromagnetic compatibility
- IP chamber for both water and dust





To visit our innovation centre and our on-site factory, contact your Pierlite sales representation for more information.



1300 799 300 | PIERLITE.COM.AU

Pierlite is a division of Signify Innovations Australia Pty Ltd Copyright Pierlite 2023. Signify Innovations Australia Pty Ltd and all directly related legal entities reserve the right to alter the specifications, designs or other features of any items herein and to discontinue any items at any time without notice and without liability.

